

# TURNER COPPER BAR/PREP SINK

Cat. No.  
6522



Diameter: 16"

## Features:

- ▶ Hand crafted from solid copper
- ▶ For undermount or drop-in applications
- ▶ For use with standard 3 1/2" drain
- ▶ Compatible with standard garbage disposal
- ▶ Copper has natural bacteria fighting properties
- ▶ Copper is a Living Finish and will Patina Over Time
- ▶ Available in 2 finishes

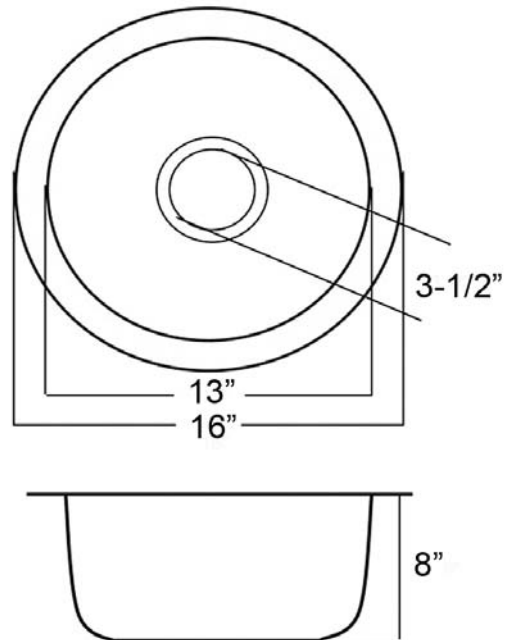
## Finishes:

**AC** Hammered Antique Copper  
**SN** Satin Nickel

**Compliance Certification**  
Material is consistent with  
UNS C81100 Copper Casting  
Alloy with respect to chemical  
composition.

## Interior Dimensions:

Basin Diameter: 13"  
Basin Depth: 8"



Dimensions of fixture are nominal and may vary. Dimensions and specifications subject to change without notice.