



### Features

- Over 28 finishes including 13 PVD finishes
- All brass construction
- 5-1/2" [140] spout center to center
- 1/4 turn ceramic disc cartridge(s)
- Flexible braided hoses for ease of installation
- Ø 1-1/4" all brass touch style pop up drain assembly
- 1.2 gpm (4.5 L/min) max flow rate

### Codes/Standards

Product meets or exceeds the following:

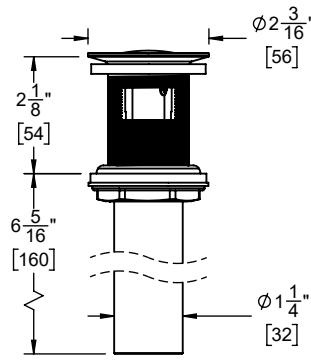
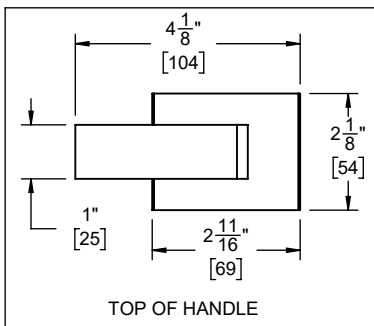
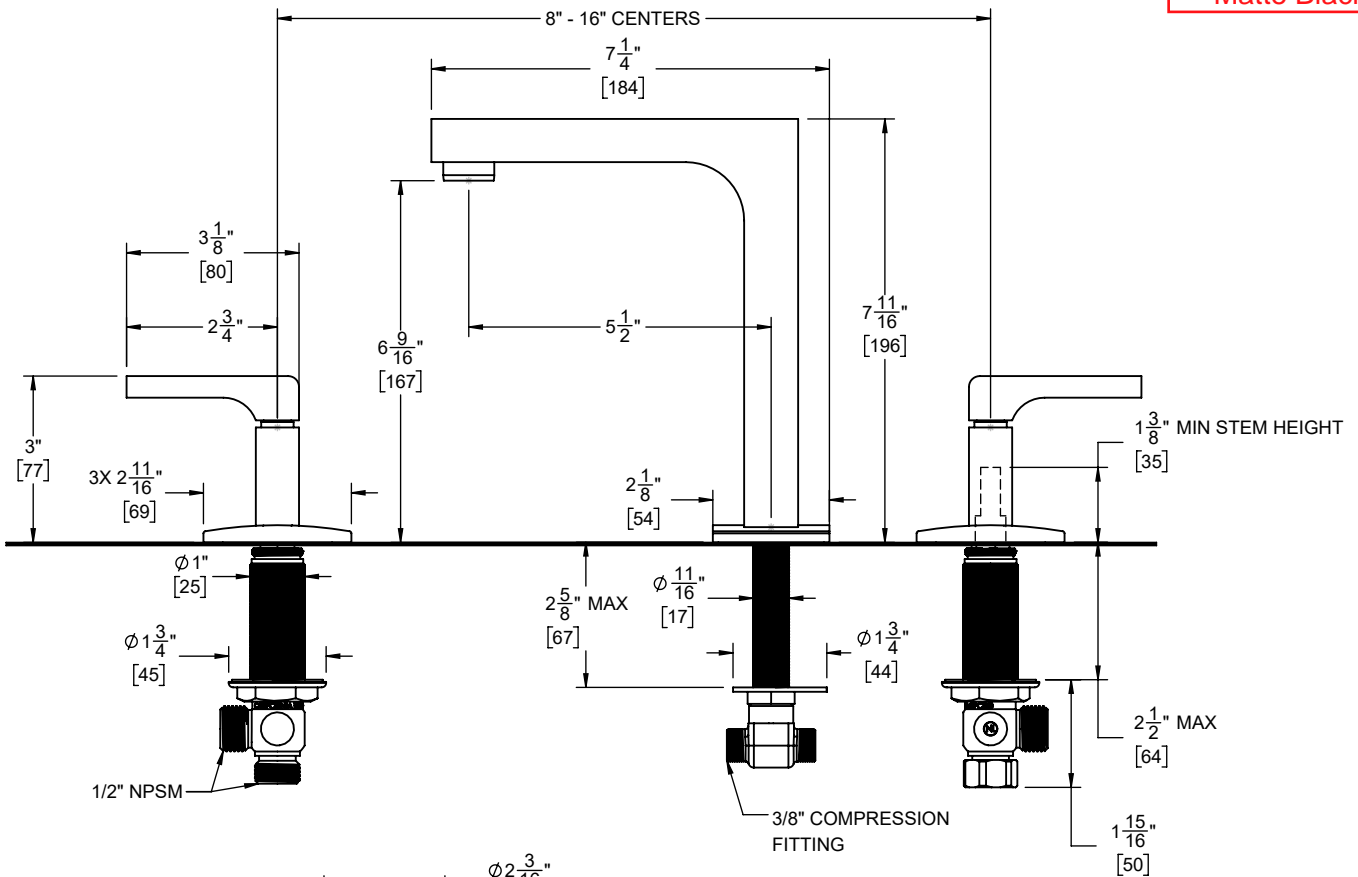
- ASME A112.18.1/CSA B125.1
- NSF/ANSI 61 & NSF/ANSI 372
- CEC / DOE
- EPA WaterSense High Efficiency Lavatory
- Commonwealth of MA
- ADA compliant



7002 shown



**Finish -**  
**\* Matte Black**



THROUGH-HOLE SPECIFICATIONS			
	MIN	RECOMMENDED	MAX
SPOUT:	Ø 1-1/8" [29]	Ø 1-3/8" [35]	Ø 1-1/2" [38]
VALVE:	Ø 1" [25]	Ø 1-3/8" [35]	Ø 1-1/2" [38]

DIMENSIONS SHOWN TO NEAREST 1/16"  
[DIMENSIONS SHOWN TO NEAREST 1mm]

SPECIFICATIONS SUBJECT TO CHANGE WITHOUT NOTICE