

# CONTEMPORARY PLP PREP PULLDOWN FAUCET SPECS

## Model # 5900



### PRODUCT DESCRIPTION

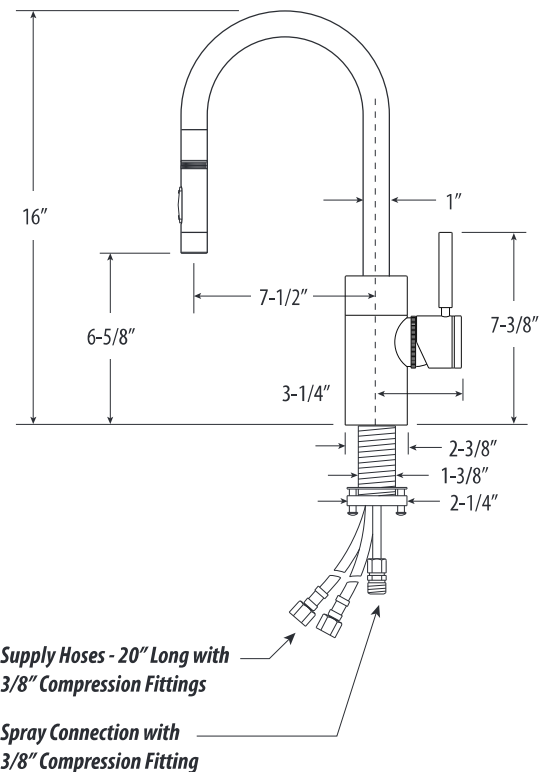
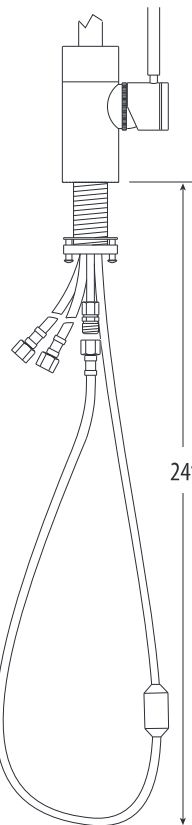
- Compatible with Reverse Osmosis filtration systems.
- Unique "PLP" positive lock holds spray head in place.
- Spray head extends 18" from spout.
- Pre-positioned "Easy Pull" counterbalanced weight.
- Select toggle spray or aerated stream.
- 1.75 gpm maximum flow rate when aerated stream is selected.
- Solid brass or stainless steel construction.
- Spout swivels 360 degrees.
- Single lever control with Hot/Cold ceramic disk valve cartridge.
- Handle adjusts 22.5 degrees in either direction for backsplash clearance.
- Adjustable PTFE "Friction Lock" helps handle feel and prevents sag.
- Reversible or removable Hot/Cold indicator ring.
- Reinforced braided connection hoses.

### CODES/STANDARDS APPLICABLE

Specified model meets or exceeds the following:

- ASME A112.18.1
- CSA B125.1
- NSF 61, 372
- CALGreen

- Max Counter Thickness 2-3/8"
- Minimum Install Hole Size 1-1/2"



DIMENSIONS MAY VARY AND ARE SUBJECT TO CHANGE. NO RESPONSIBILITY IS ASSUMED FOR USE OF SUPERCEDED OR VOIDED DATA



## AVAILABLE IN 33 FINISHES + SOLID STAINLESS STEEL

Almond - 01	Black Nickel - BLN	Distressed Antique Copper - DAC	Polished Gold - PG	Tuscan Brass - TB
Antique Brass - AB	Black-Oil Rubbed Bronze - ORB	Distressed American Bronze - DAMB	Polished Nickel - PN	Unlaquered Polished Brass - UPB
Antique Bronze - ABZ	Biscuit - 07	Distressed Antique Pewter - DAP	Satin Chrome - SC	Venetian Bronze - VB
Antique Copper - AC	Caribbean Bronze - CB	Euro-White - EW	Satin Gold - SG	Weathered Brass - WB
American Bronze - AMB	Chocolate Bronze - CHB	Matte Black - MB	Satin Brass - SB	Weathered Copper - WC
Antique Pewter - AP	Chrome - CH	Polished Brass - PB	Satin Nickel - SN	White - WT
Black - 06	Distressed Antique Brass - DAB	Polished Copper - PC	Stainless Steel - SS*	

\*Contemporary Styles Only