



## FEATURES

Solid brass construction  
 Crystal clear water flow  
 Handshower with 5' reinforced PVC hose  
 Pull-button diverter in front of the spout  
 1/2" connection

## FINISHES

Standard  
 Polished chrome (pc)  
 Electro black (ebk)

## WARRANTY

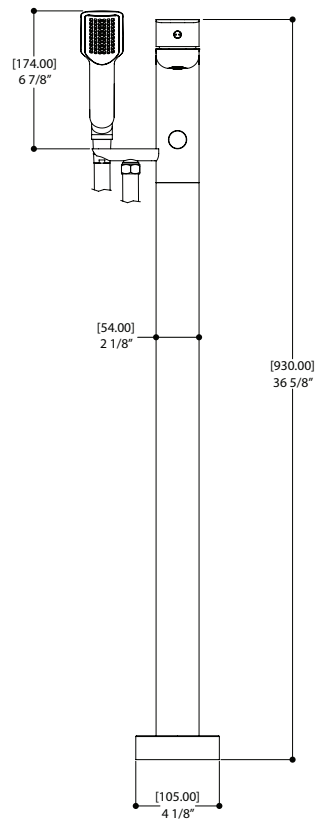
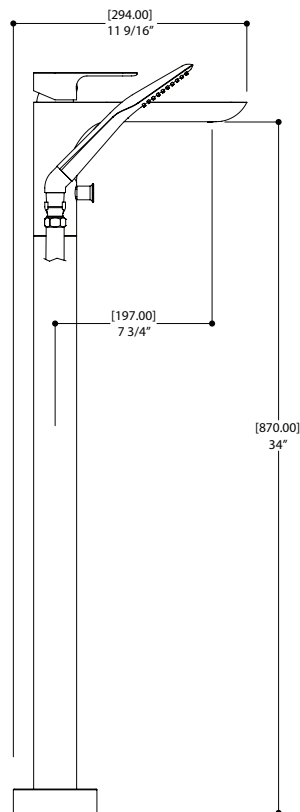
Residential: Limited lifetime warranty to original purchaser  
 Commercial: Two years warranty  
 (Complete warranty available at [www.aquabress.com/warranty](http://www.aquabress.com/warranty))

## CODE & COMPLIANCE



## SPECS AT LARGE

Overall spout projection: 11 9/16" Flow rate: (tub filler) 5 gpm  
 CC spout projection: 7 3/4" Flow rate: (handshower) 2 gpm  
 Total faucet height: 36 5/8"

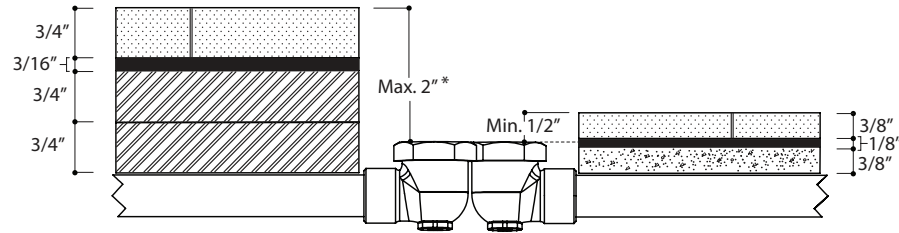


Aquabress cannot be held responsible for any technical or typographical errors or omissions contained within this document and reserves the right to make changes without prior notice.

# AQUABRASS

## "EASY FIT"

### a job-site friendly installation system

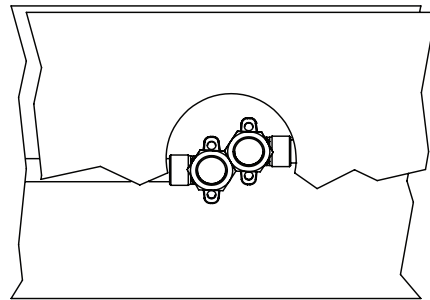
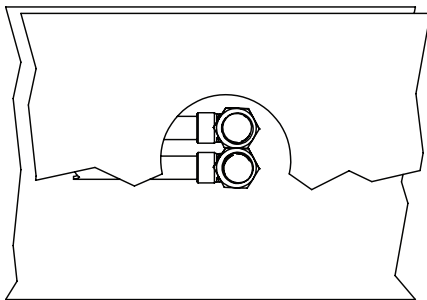
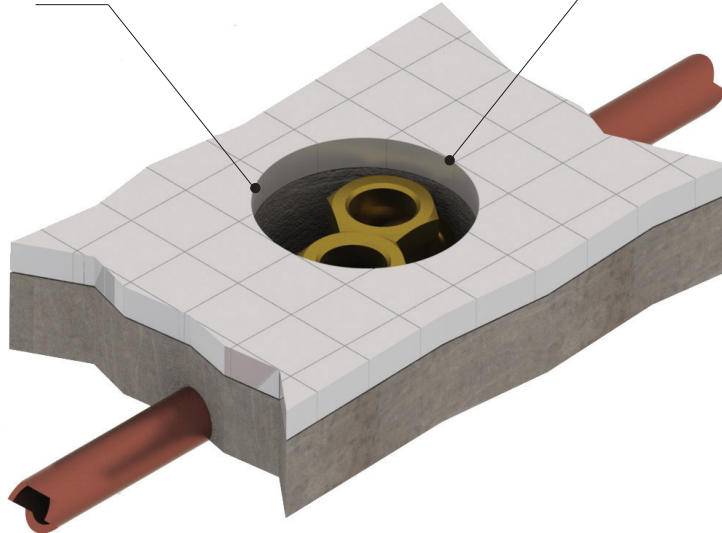


\* If set deeper, use commercially available standard male-female extension.

\* Si installé plus profondément, utiliser une extension mâle-femelle standard.

Ouverture recommandée:  
ø 2 1/2" ou moins

Recommended opening:  
ø 2 1/2" or less



Optimize your rough configuration for a minimum C-C between hot & cold inlets (see examples). The orientation of the pair of supply connections is independent from the final spout position.

Optimiser la configuration du brut pour minimiser le C-C entre l'entrée de l'eau chaude et froide. L'orientation des alimentations n'a aucun impact sur la direction finale du bec.