

PIVOTING TUB DRAIN

Cat. No.
5599PD



Features:

- ▶ Brass construction
- ▶ Swivel head adjusts to slope of tub
- ▶ Lift and turn drain cover
- ▶ Open daisy wheel drain cover
- ▶ Optional push button drain cover for overflow hole allows for a deeper fill
- ▶ Drain cover overflow passes through tub wall to prevent leakage in double walled tubs
- ▶ For use with tubs up to 3-1/2" thick at overflow
- ▶ Available in 6 finishes

Finishes:

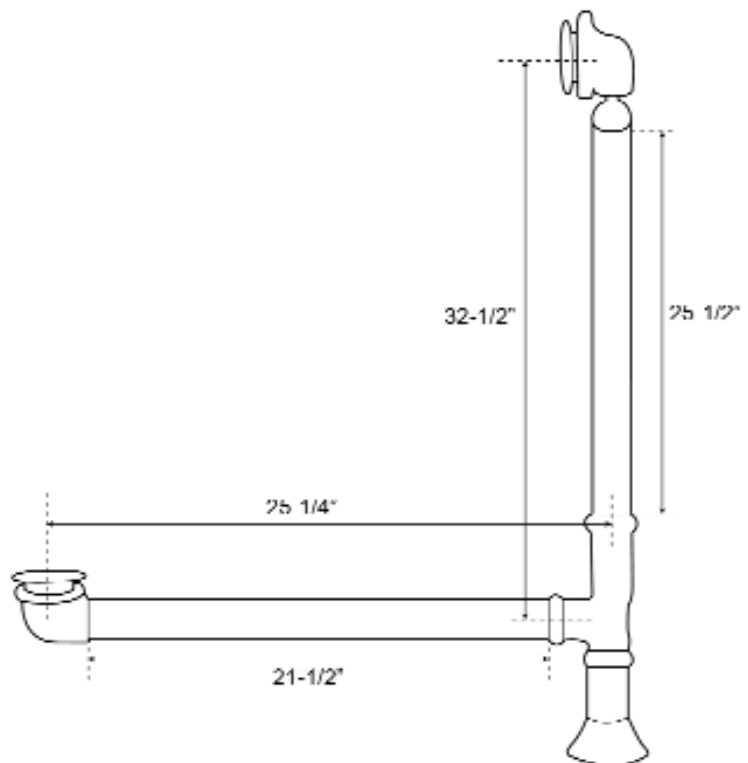
| | | | |
|------------|-------------------|-----------|-----------------|
| PB | Polished Brass | CP | Polished Chrome |
| BN | Brushed Nickel | PN | Polished Nickel |
| ORB | Oil Rubbed Bronze | WH | White |



Daisy Wheel Cover



Push Button Cover



Dimensions and specifications subject to change without notice.