

EXTENDED PUSH BUTTON ASSEMBLY

Cat. No.
5599EX



BARCLAY

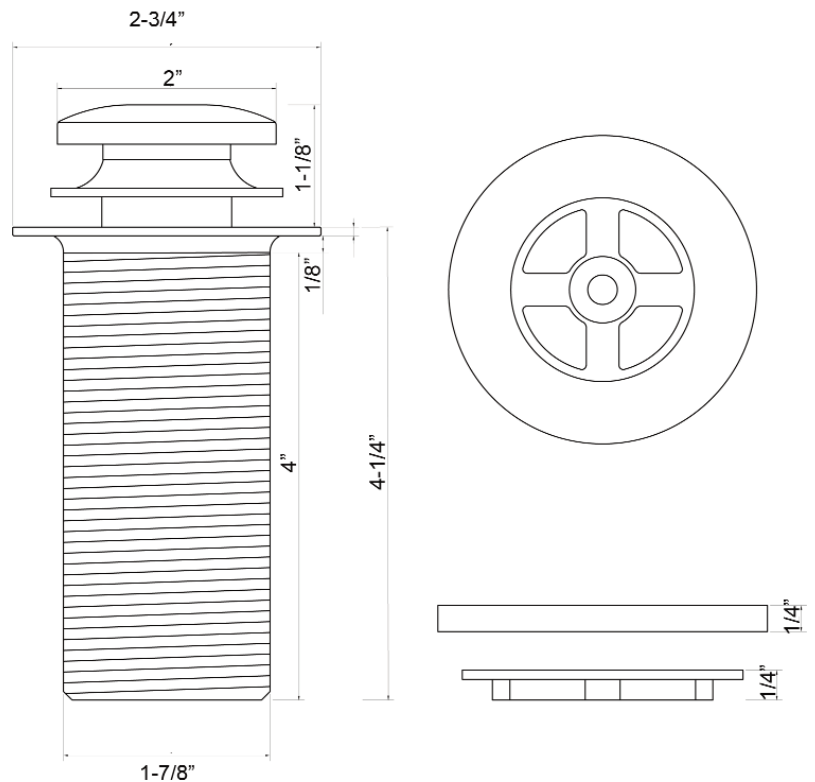


Features:

- ▶ Forged brass construction
- ▶ Push button stopper
- ▶ For use with tubs without overflow
- ▶ Rubber gasket included
- ▶ Accommodates tub with thicker floors
- ▶ Threaded body is 4" long
- ▶ Available in 7 Finishes

Finishes:

- | | | | |
|------------|-------------------|-----------|-------------|
| BN | Brushed Nickel | MB | Matte Black |
| CP | Polished Chrome | WH | White |
| ORB | Oil Rubbed Bronze | | |
| PB | Polished Brass | | |
| PN | Polished Nickel | | |



Dimensions and specifications subject to change without notice.