

Flowstar S Bottle Trap

Finish: **chrome** Part no. : **52105001**



Description

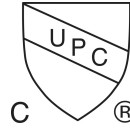
Features

- Odor trap - backwater height is 2.95"
- Connection dimension entry: G 1 1/4

Item details

List Price \$ 231.00

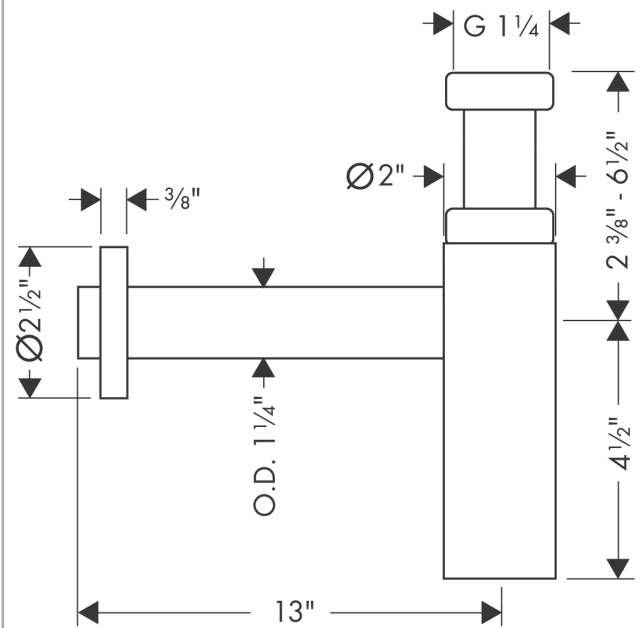
Compliance / Sustainability



Product image



Scale drawing



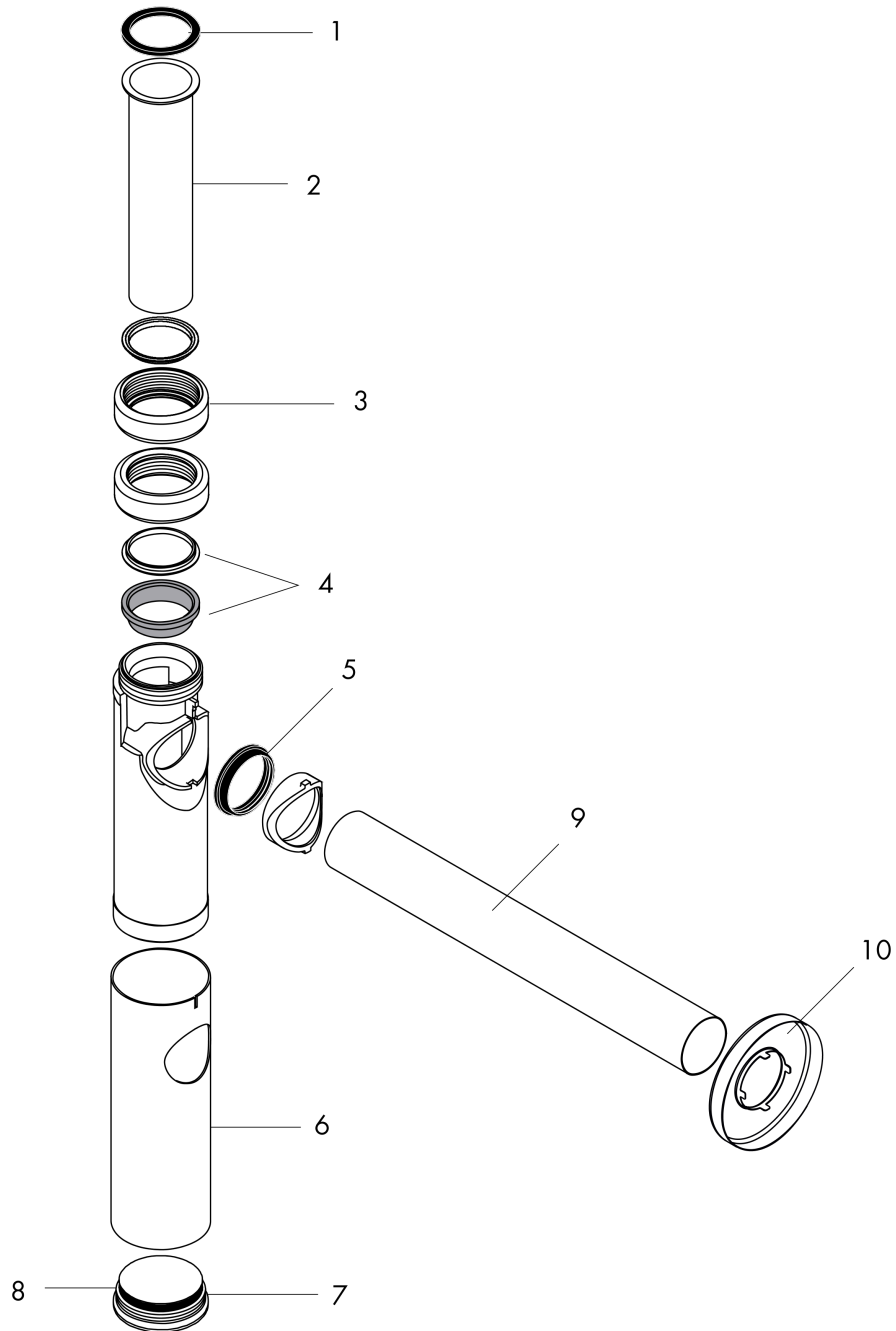
Flowstar S Bottle Trap

Finish: **chrome** Part no. : **52105001**



Exploded drawing

Year of production: >10/21



Flowstar S Bottle Trap

Finish: **chrome** Part no. : **52105001**



Spare parts list

Year of production: >10/21

Pos.	Description	Part no.	Price	PU
1	seal 1¼"	53971000	-	1
2	sleeve pipe 1¼" 150 mm	96420000	-	1
3	sleeve nut	97702000	-	1
4	wedge-shaped seal 1¼"	97701000	-	1
5	sealed box	96487000	-	1
6	sleeve	96554000	-	1
7	plug	97258000	-	1
8	O-ring 38x2,5	98198000	-	1
9	wall pipe 1¼" 500 mm	53493000	-	1
10	escutcheon	96490000	-	1