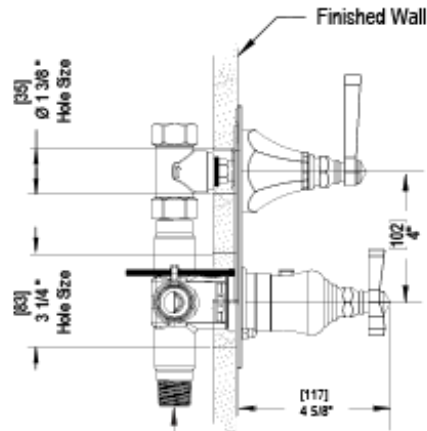
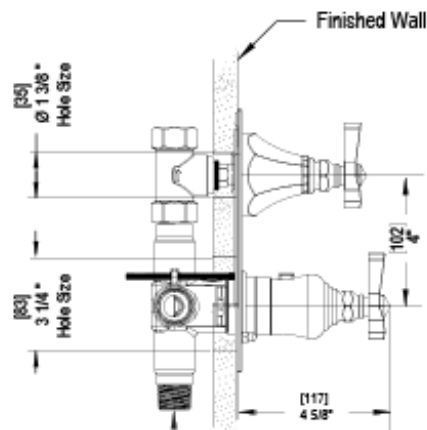
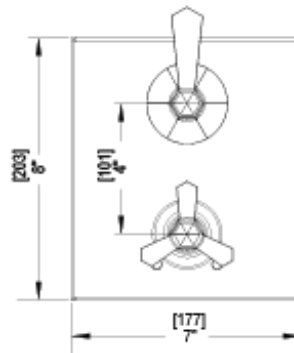


TEMPERATURE CONTROL VALVE WITH STOPS & VOLUME CONTROL



1/2" NPT (4QR000)  
3/4" NPT (4PR000)  
ALL PORTS



1/2" NPT (4QR000)  
3/4" NPT (4PR000)  
ALL PORTS

