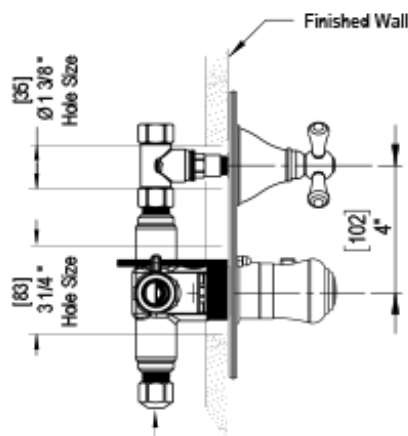
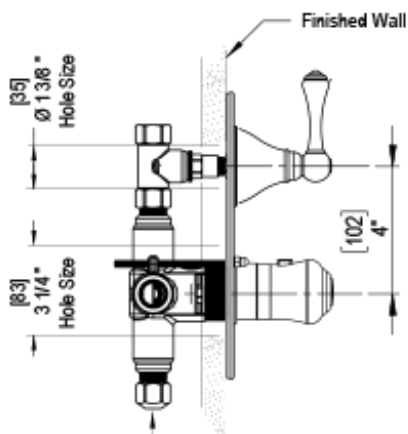
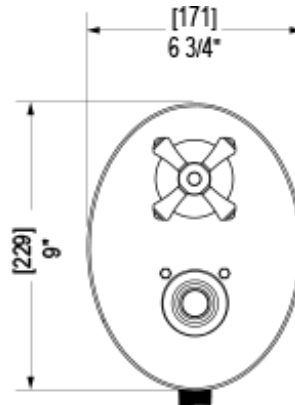


TEMPERATURE CONTROL VALVE WITH STOPS & VOLUME CONTROL



1/2" NPT (4QR100)
3/4" NPT (4QR300)
ALL PORTS



1/2" NPT (4QR100)
3/4" NPT (4QR300)
ALL PORTS

