

AXOR MyEdition
 Finishes : **chrome**

Part no. : **47442000**



Description

Features

- Ceramic cartridge
- Integrated double backflow prevention

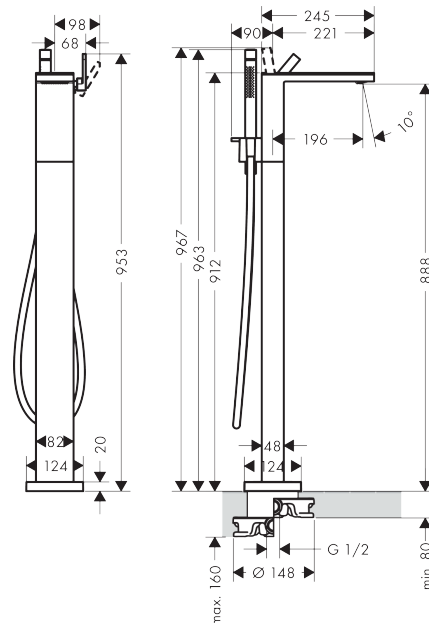
Technology



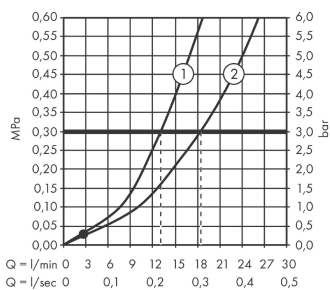
Product image



Scale drawing



Flowchart



The consumption was measured in combination with the appropriate fittings (thermostat/mixer/ in-wall valve) to reflect actual application in practice.