

AXOR MyEdition
 Finishes : **chrome / mirror glass** Part no. : **47440000**



Description

Features

- Ceramic cartridge
- Integrated double backflow prevention

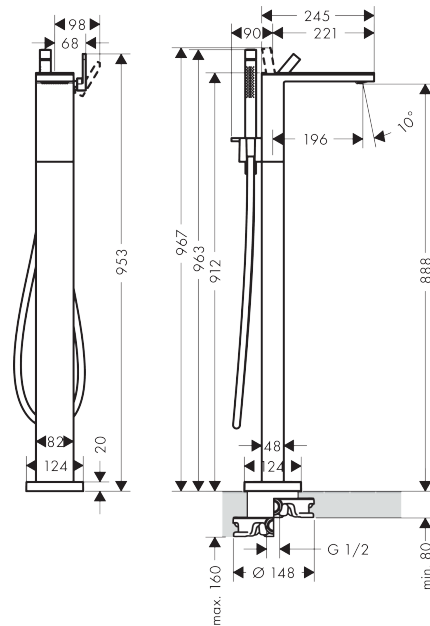
Technology



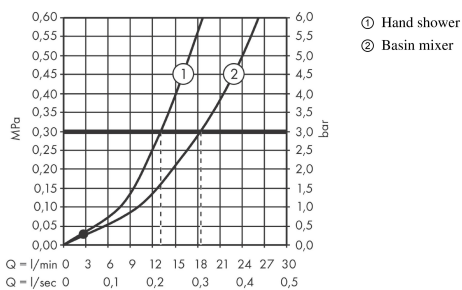
Product image



Scale drawing



Flowchart



The consumption was measured in combination with the appropriate fittings (thermostat/mixer/ in-wall valve) to reflect actual application in practice.

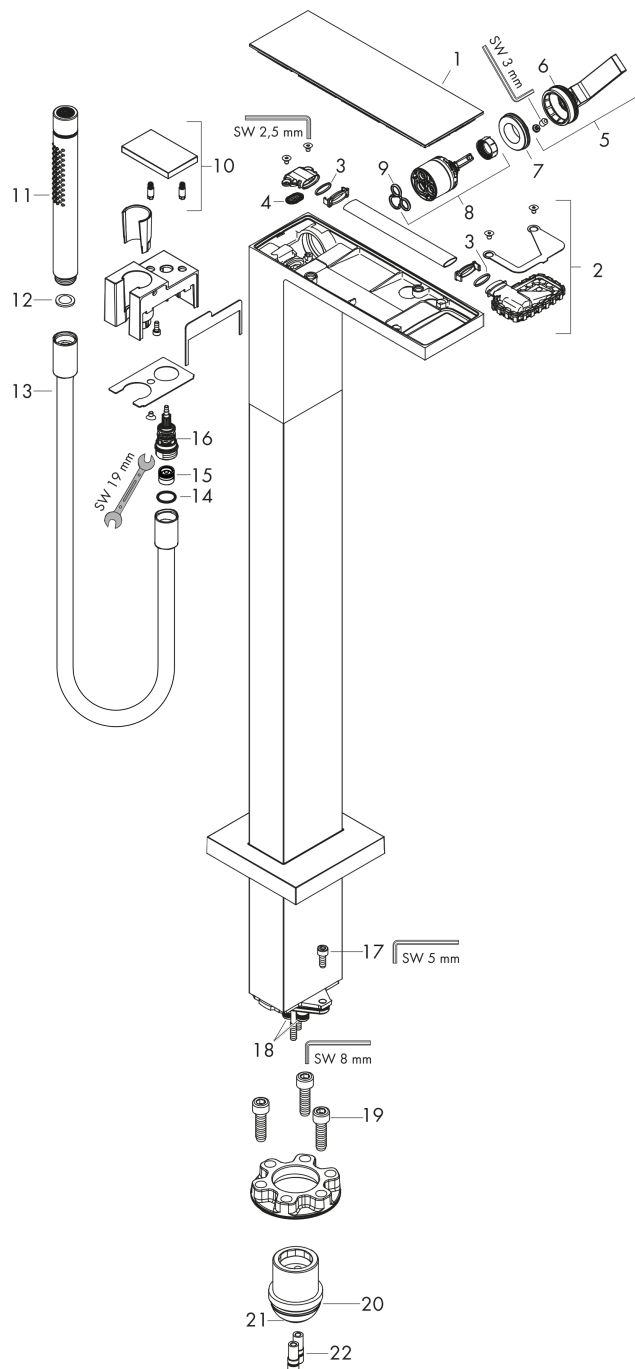
AXOR MyEdition

Finishes : **chrome / mirror glass** Part no. : **47440000**



Exploded drawing

Year of production: >10/18



AXOR MyEdition

 Finishes : **chrome / mirror glass** Part no. : **47440000**

Spare parts list

Year of production: >10/18

Pos.	Description	Part no.	PC	PU
1	cover	47901000	0	1
2	spray former	93376000	0	1
3	O-ring 13x1,5	98475000	0	1
4	filter packing	93378000	0	1
5	handle	93361000	0	1
6	O-ring 35x1,5	92114000	0	1
7	nut	93363000	0	1
8	cartridge, assy	93185000	0	1
9	seal	95008000	0	1
10	diverter knob	93362000	0	1
11	handshower	28532000	0	1
12	filter packing	94246000	0	1
13	shower hose 1,25 m	28282000	0	1
14	seal	98058000	0	1
15	selector	97978000	0	1
16	set of non return valves DW 15	94074000	0	1
17	hexagon socket screw M6x16	92857000	0	1
18	O-ring 9x1,5	98117000	0	1
19	hexagon socket screw M10x35	97670000	0	1
20	O-ring 44x2,5	98162000	0	1
21	O-ring 29x3	98371000	0	1
22	O-ring 7x2	98419000	0	1
a	concealed item	10452180	0	1
b	extension set 60 mm	97686000	0	1