

AXOR MyEdition

Finishes : **chrome** Part no. : **47052000**



Description

Features

- PowderRain spray
- 90° ceramic valves
- push-open drain valve G 1 ¼

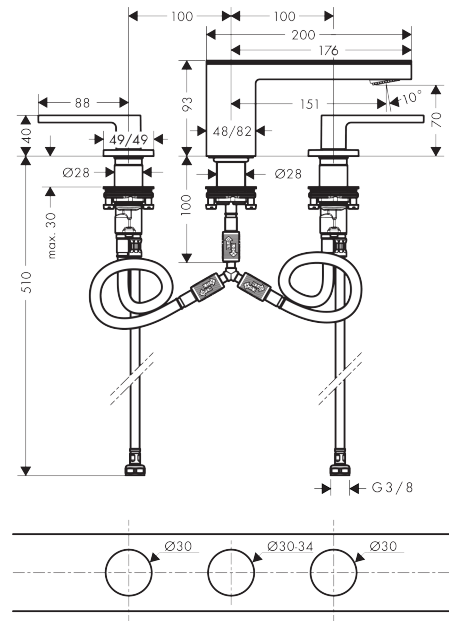
Technology



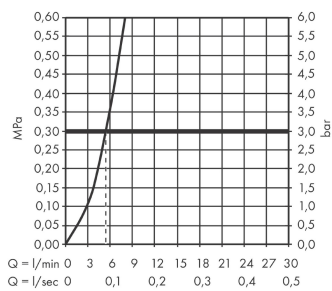
Product image



Scale drawing



Flowchart



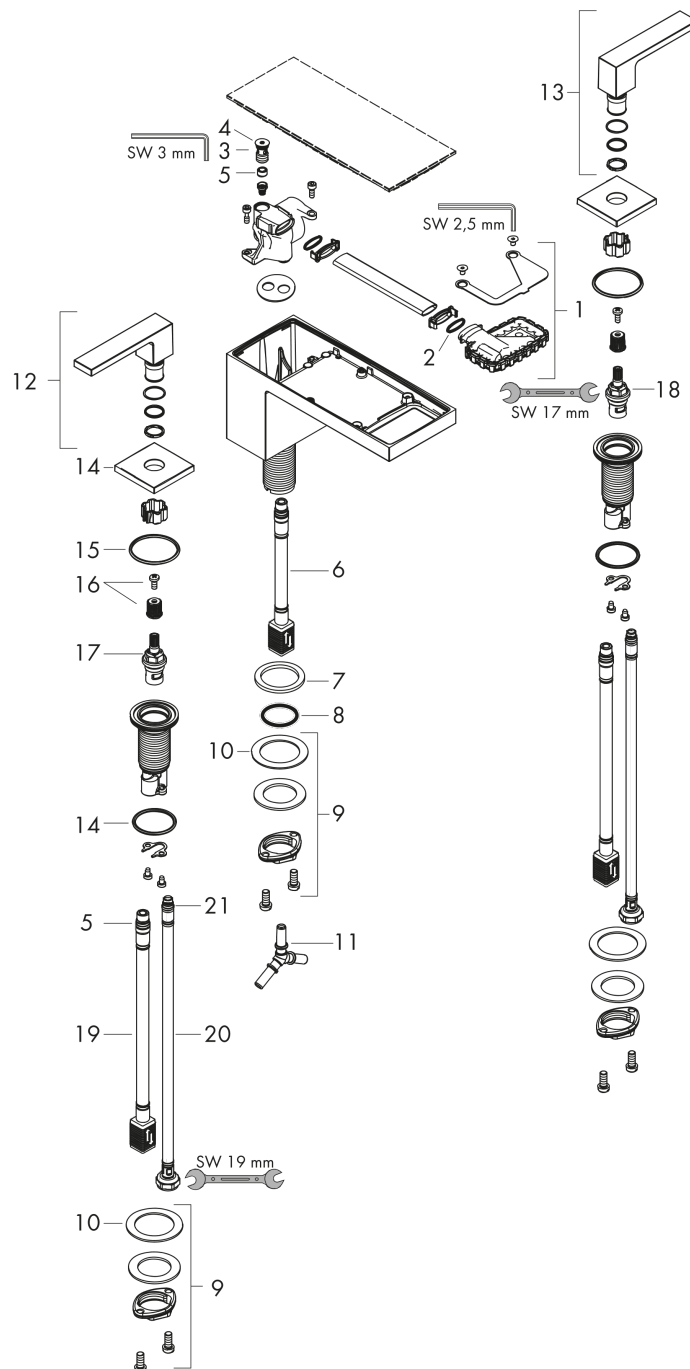
AXOR MyEdition
 Finishes : **chrome**

Part no. : **47052000**



Exploded drawing

Year of production: >01/19



AXOR MyEdition

 Finishes : **chrome** Part no. : **47052000**

Spare parts list

Year of production: >01/19

Pos.	Description	Part no.	PC	PU
1	spray former	93385000	0	1
2	O-ring 13x1,5	98475000	0	1
3	service unit	93384000	0	1
4	O-ring 8x1,75	97827000	0	1
5	flow limiter (5 l/min)	95311000	0	1
6	null	92913000	0	1
7	flat seal	98749000	0	1
8	O-ring 26x4	92191000	0	1
9	null	92909000	0	1
10	lever collar	97548000	0	1
11	hose connection angel	92905000	0	1
12	handle for hot water	93379000	0	1
13	handle for cold water	93380000	0	1
14	escutcheon for handle	93381000	0	1
15	null	92907000	0	1
16	handle fixing set	98932000	0	1
17	shut off unit right closing	98817000	0	1
18	shut off unit left closing	95366000	0	1
19	null	92914000	0	1
20	connection hose 450 mm M8x0,75 G3/8	97206000	0	1
21	O-ring 6,6x1,6	93019000	0	1
a	push-open waste set	51300000	0	1
b	service unit	93384007	0	1
c	cover	47906000	0	1
d	cover	47909000	0	1
e	cover	47913000	0	1
f	cover	47916000	0	1