

## AXOR MyEdition

Finishes : **chrome / mirror glass** Part no. : **47020000**



### Description

#### Features

- PowderRain spray
- Ceramic cartridge
- push-open drain valve G 1 ¼

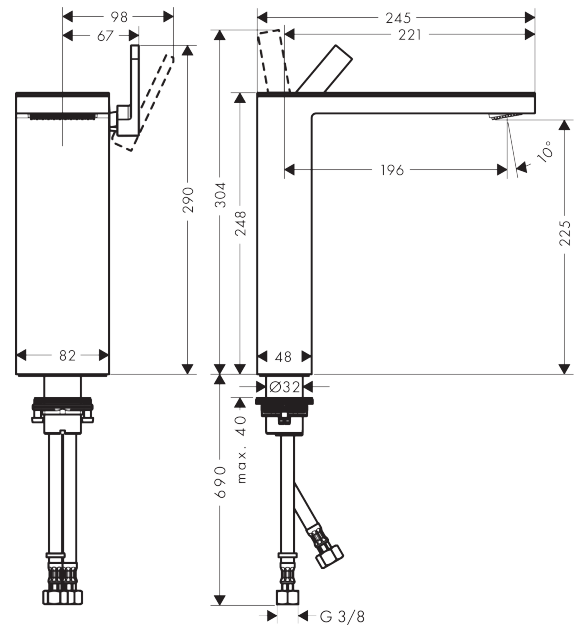
### Technology



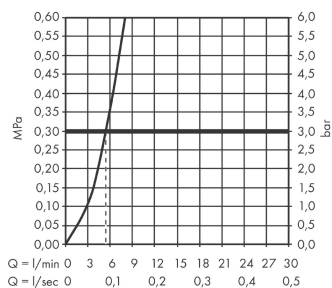
### Product image



### Scale drawing



### Flowchart





## AXOR MyEdition

Finishes : **chrome / mirror glass**    Part no. : **47020000**



### Spare parts list

Year of production: >10/18

Pos.	Description	Part no.	PC	PU
1	cover	47901000	0	1
2	service unit	93384000	0	1
3	O-ring 8x1,75	97827000	0	1
4	O-ring 13x1,5	98475000	0	1
5	spray former	93385000	0	1
6	handle	93386000	0	1
7	O-ring 33x1,5	98164000	0	1
8	nut	92926000	0	1
9	O-ring 30x1,5	98433000	0	1
10	O-ring 29x2	98391000	0	1
11	O-ring 25x1,5	98146000	0	1
12	cartridge, assy	92900000	0	1
13	seal	93383000	0	1
14	fixing set (Ø 32)	13961000	0	1
15	lever collar	97548000	0	1
16	connection hose 900 mm M8x0,75 G3/8	96316000	0	1
17	O-ring 7x1,5	98422000	0	1
a	push-open waste set	51300000	0	1
b	fixation extension 35 mm	13898000	0	1