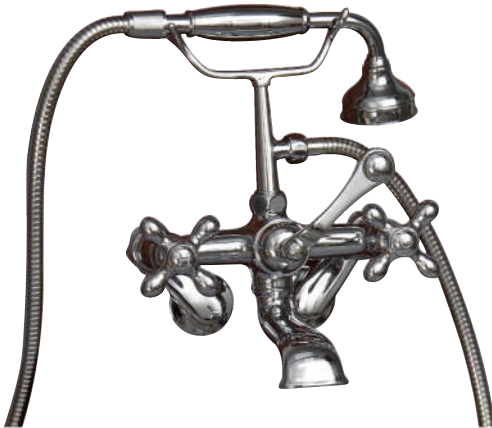


# TUB WALL MOUNT FILLER WITH HANDSHOWER

Cat. No.  
4604



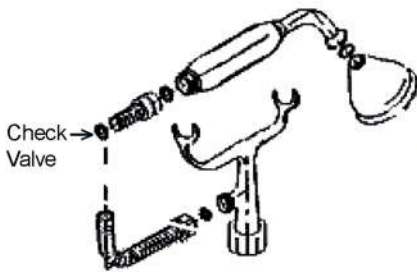
(ML)



(ML2)



Adjustable Swivel Mounts



Check  
Valve

## Features:

- ▶ Brass construction
- ▶ Elephant spout length is 5-<sup>3</sup>/<sub>4</sub>"
- ▶ Spout flow rate is 3.7 GPM
- ▶ Available with metal cross handles (**4604-MC**) or metal lever handles in 2 different styles (**4604-ML, 4604-ML2**)
- ▶ Metal cross handles feature "H" and "C" for hot and cold
- ▶ Metal telephone style hand shower with cradle and hose
- ▶ Handshower flow rate 2.5 GPM
- ▶ Handshower includes backflow preventer
- ▶ Swivel Mounts adjust centers from 3" to 12"
- ▶ Faucet centers are 7" without swivel mounts
- ▶ For tub wall installation
- ▶ ¼ Turn ceramic disc cartridges
- ▶ To be used with double offset bath supplies, **Part #5576**
- ▶ This faucet can also be used with rigid freestanding supplies, **Part #4502** with adjustable swivel mounts removed

### Finishes:

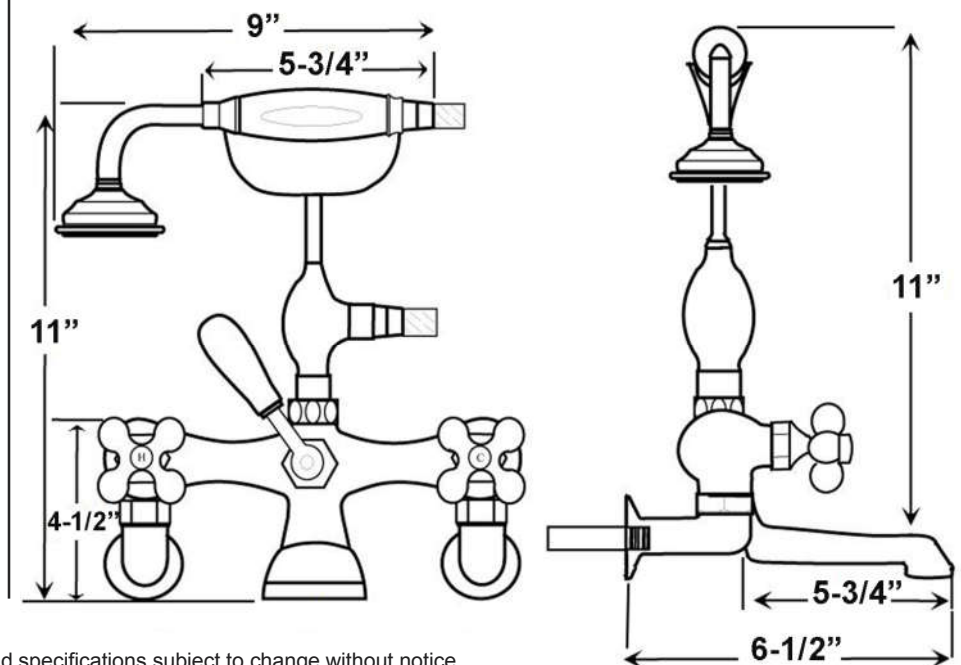
**BP** Polished Brass

**SN** Brushed Nickel

**CP** Polished Chrome

**PN** Polished Nickel

**ORB** Oil Rubbed Bronze



Dimensions are nominal and may vary. Dimensions and specifications subject to change without notice.