

FEATURED MODEL

442037 ARTONA Pull-Down 1.5 gpm, STAINLESS Finish

ADDITIONAL MODELS

- 442038 1.5 gpm, CHROME
- 442031 1.5 gpm, ANTHRACITE & STAINLESS Dual Finish
- 442032 1.5 gpm, CAFE BROWN & STAINLESS Dual Finish
- 442033 1.5 gpm, CINDER & STAINLESS Dual Finish
- 442034 1.5 gpm, METALLIC GRAY & STAINLESS Dual Finish
- 442035 1.5 gpm, TRUFFLE & STAINLESS Dual Finish
- 442036 1.5 gpm, WHITE & STAINLESS Dual Finish

FEATURES

- Solid brass body
- Ceramic disk cartridge
- Pull-down spray
- 1.5 GPM flow rate
- Installation in a 1-3/8" hole
- Color coded hot and cold supply lines
- 180 degree spout swivel
- Maximum deck thickness 2-1/4"

OPTIONAL ACCESSORIES

- ARTONA Soap Dispenser 442047 STAINLESS
- ARTONA Bar/Prep Faucet 442045 STAINLESS

CODE / STANDARDS COMPLIANCE

ASME A112.18.1-2005
 IAPMO Listed
 Meets AB1953 low lead requirements

WARRANTY

BLANCO'S kitchen and bar faucets feature a LIMITED LIFETIME WARRANTY to be free of all manufacturing defects under normal use. See our complete warranty for details.

While BLANCO endeavors to provide accurate information, all dimensions are nominal, cannot be guaranteed, and are subject to change or cancellation. BLANCO assumes no responsibility for use of superseded or voided specifications.

JOB INFORMATION

Job Name: _____

Contact: _____

Date Specified: _____

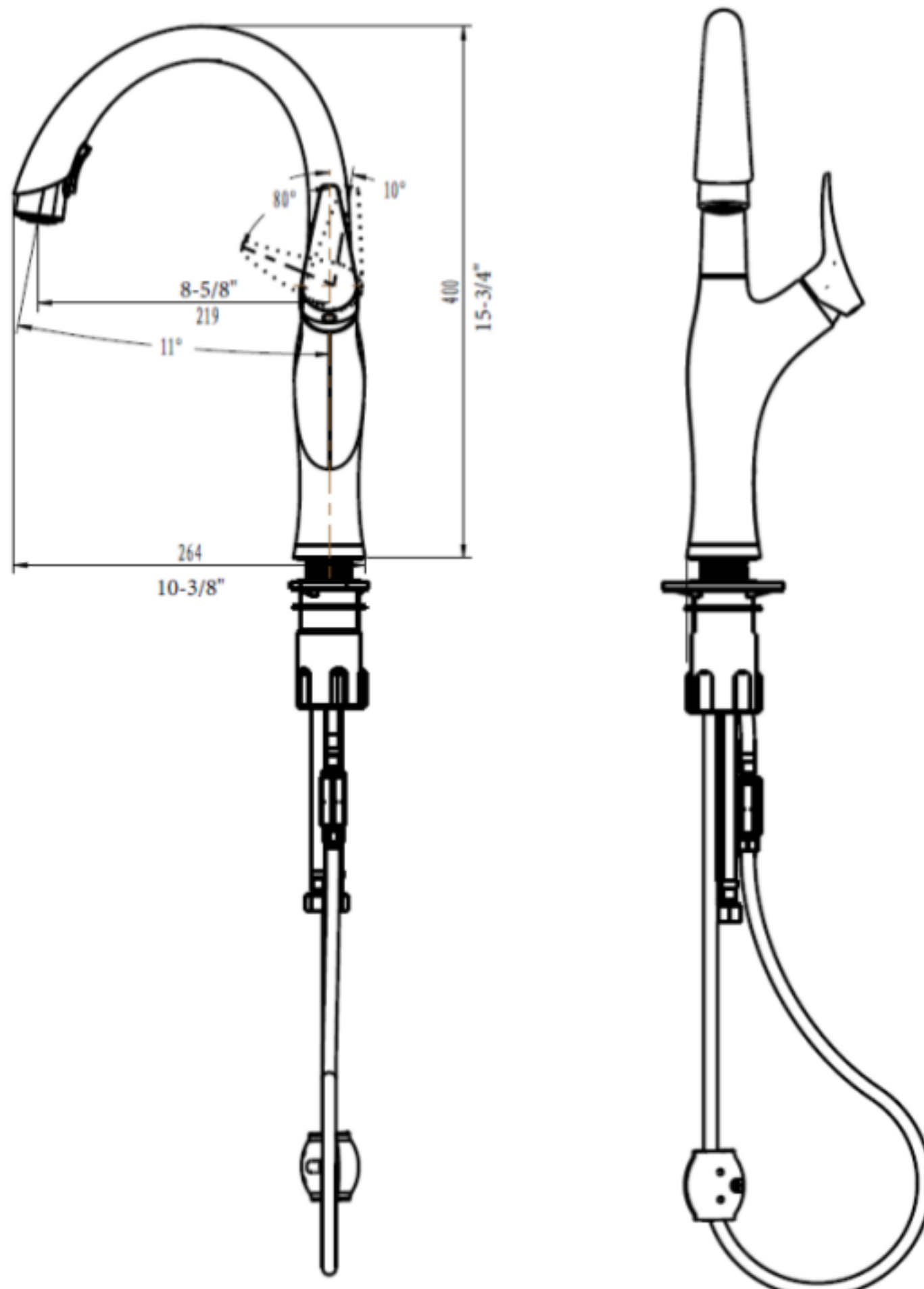
Specifier: _____

Contractor: _____



NOMINAL DIMENSIONS Model 442031 shown

REACH	SPOUT HEIGHT	FAUCET HEIGHT
8-5/8"	10"	15-3/4"



See next page for exploded parts drawing and parts list.

BLANCO AMERICA

800.451.5782

www.blancoamerica.com

© 2016 BLANCO AMERICA

1/16

SPEC-001