

AXOR Universal Accessories

AXOR Universal Soap Dish

Finishes : **chrome** Part no. : **42803000**



Description

Features

- Wall-mounted
- Adaptor set #42870000 must be used when installing on a rail
- Mounting possible with toilet paper roll holder #42836000 (adaptor #42870000 necessary)

Item details

List Price \$ 208.00

Design awards



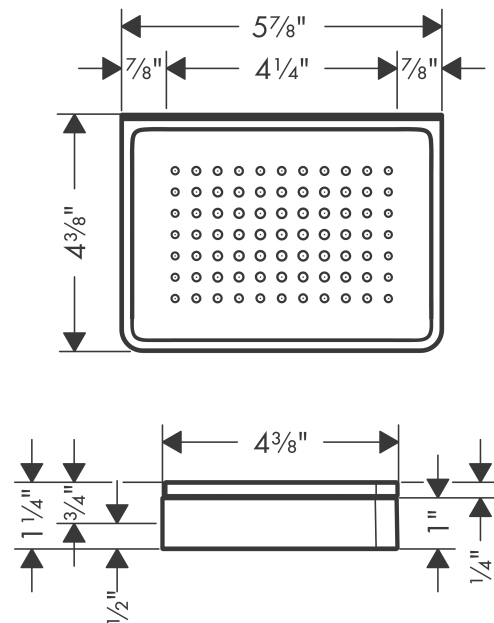
Compliance



Product image



Scale drawing



AXOR Universal Accessories

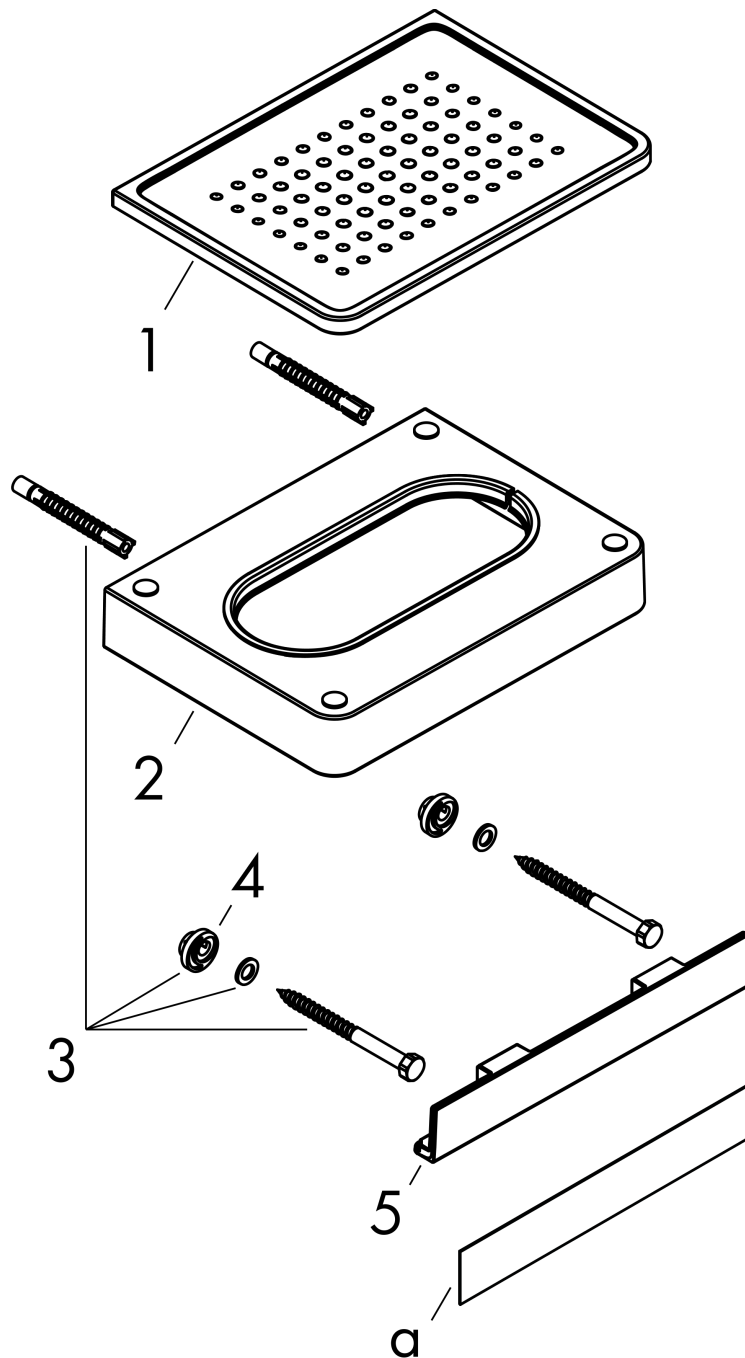
AXOR Universal Soap Dish

Finishes : **chrome** Part no. : **42803000**



Exploded drawing

Year of production: >11/14



AXOR Universal Accessories

AXOR Universal Soap Dish

Finishes : **chrome** Part no. : **42803000**



Spare parts list

Year of production: >11/14

Pos.	Description	Part no.	Price	PU
1	soap recess	92429000	-	1
2	support element	92424000	-	1
3	mounting set	92841000	-	1
4	excentric socket	97604000	-	1
5	cover	92427000	-	1
a	cover	42890000	-	1
b	set of adapters	42870000	-	1
c	set of covers	42871000	-	1
d	mounting kit for two-sided glass montage	42841000	-	1