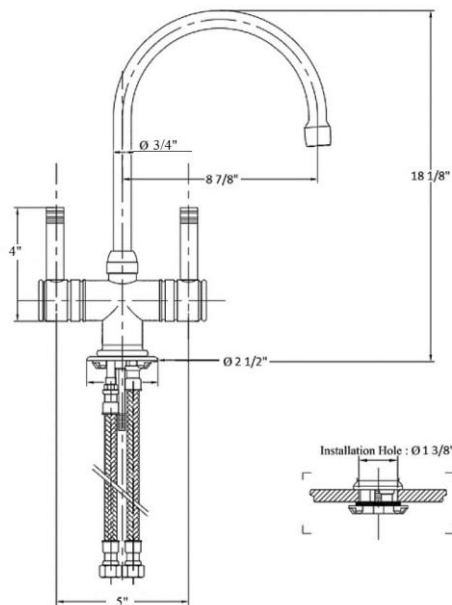


# 4210 – ‘Lille’ Single Hole Kitchen Mixer



## Technical Information

- IAPMO: NSF/ANSI 61, NSF/ANSI 372 & ASME A112.18.1/CSA B125.1 Certified.
- New Style Metal Handles.
- Requires 1 3/8" Hole Mounting.
- ¼ Turn Flühs Ceramic Ecobrass Cartridges.
- Maximum Flow Rate is 1.2 GPM with New Low Flow Restrictor.
- Available Finishes are French Weathered Brass(47), Polished Chrome(48), SoliBrass(49), Lacquered Matte Black Nickel(50), Polished Brass(55), Polished Nickel(56), Brushed Nickel(57), Satin Nickel(60), Antique Lacquered Copper(67), Antique Lacquered Brass(68), Weathered Brass(70), Lacquered Polished Black Nickel(71) and Lacquered Polished Copper(80).
- Please See Cleaning Instructions: <http://herbeau.com/CleaningAll.pdf> For Finish Care and Maintenance Information.

Part #	Description
01	Lille Metal Handle
03	Escutcheon
04	Lille Spout
05	Lille Handle Base
06	Flat Rubber Washer
07	Nylon Clip
08	Rubber Horseshoe Washer
09	Locking Collar
10	Rubber O-Ring
11	Aerator Washer
12	Aerator Filter
13	Aerator Cover
14	Central Body
15	Rubber O-Ring
16	Splined Adapter
17	Rubber O-Ring
18	12" X 3/8" Flexible Supply Hose With O-Ring
18	Optional 30" X 3/8" Flexible Supply Hose With O-Ring
19	Rubber O-Ring
20	Threaded Stem
22	Brass Horseshoe
23	Brass Washer
24	Brass Nut
81	¼ Turn Ceramic Cartridge-Hot
82	¼ Turn Ceramic Cartridge-Cold

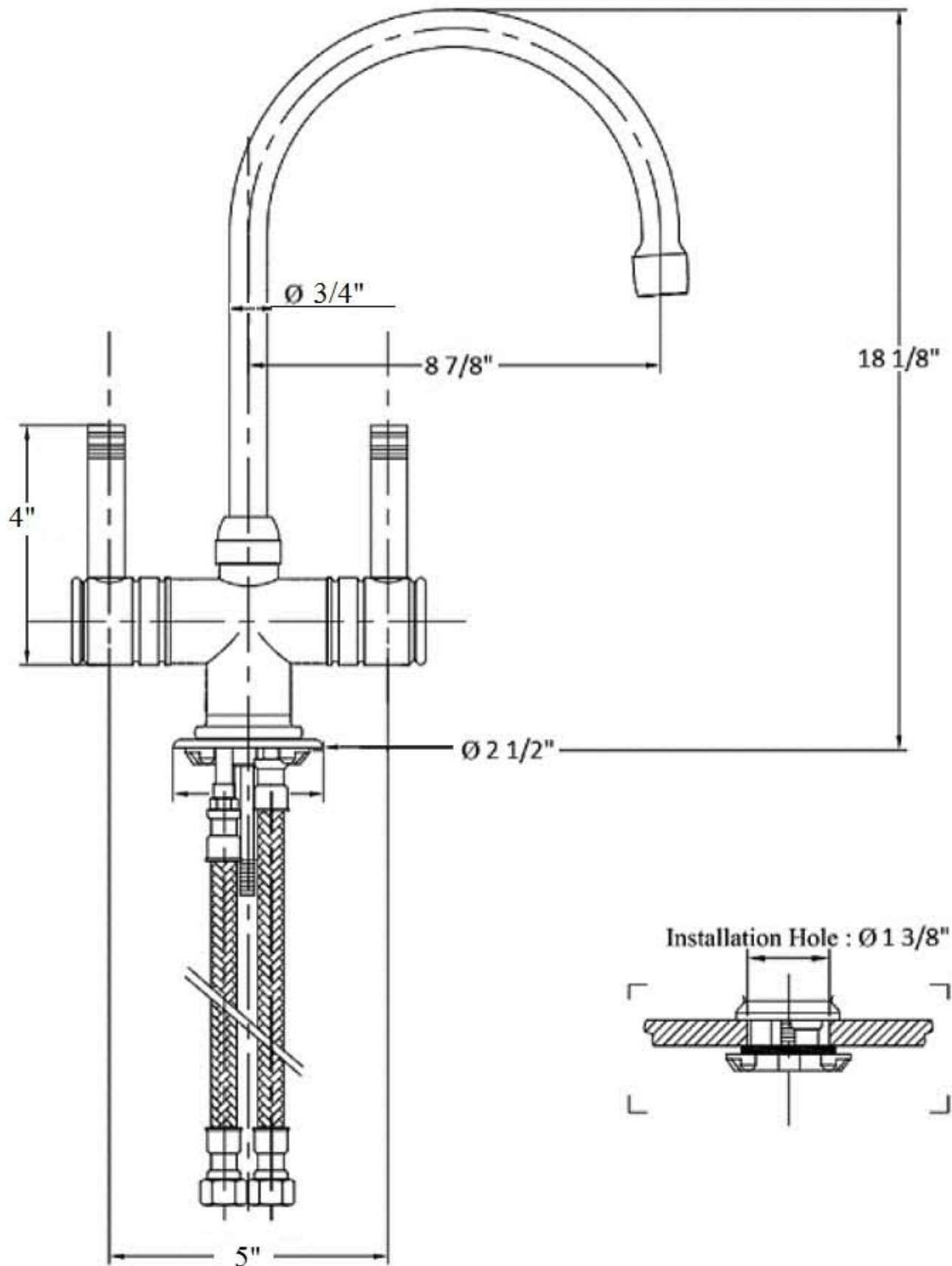
Please follow example when ordering parts for ‘Lille’ Kitchen Mixer

- To order part#1 – Lille Metal Handle
  - 950006xx
- Please substitute finish number needed in place of **xx**



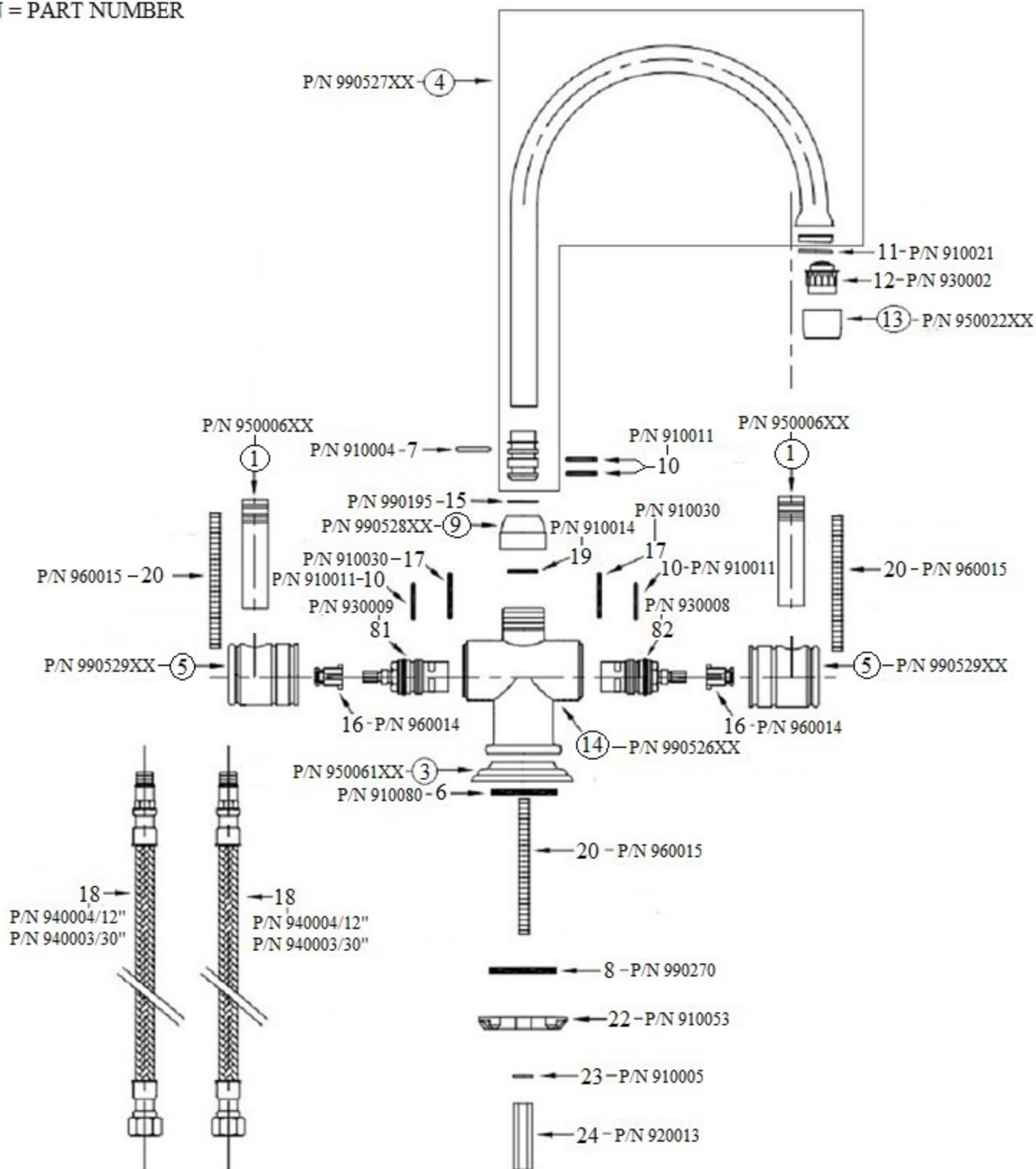
**Herbeau**<sup>®</sup>  
L'Art du Sanitaire depuis 1857

# 4210 - 'Lille' Single Hole Kitchen Mixer



# 4210 - 'Lille' Single Hole Kitchen Mixer

\*P/N = PART NUMBER



○ = FINISHED PARTS

XX = TWO DIGIT FINISH CODE