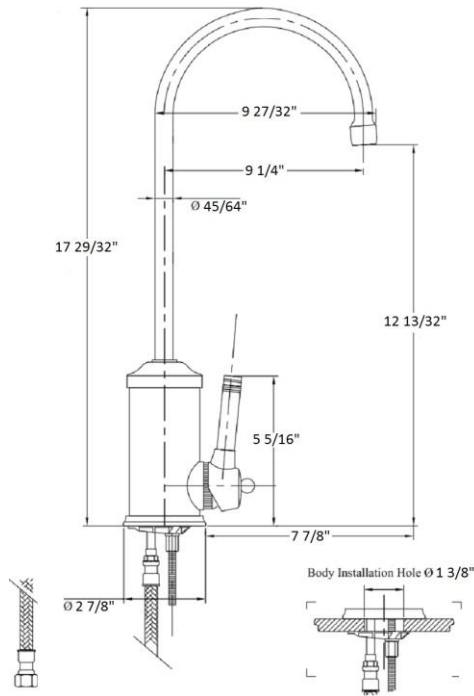


4115 - 'Lille' Single Lever Mixer Deck Mounted



Technical Information

- IAPMO: NSF/ANSI 61, NSF/ANSI 372 & ASME A112.18.1/CSA B125.1 Certified.
- Uses Flühs Ceramic Cartridge.
- New Style Metal Handle.
- Requires 1 3/8" Hole Drilling.
- Maximum Flow Rate is 1.2 GPM with New Low Flow Restrictor.
- Available Finishes are French Weathered Brass(47), Polished Chrome(48), SoliBrass(49), Lacquered Matte Black Nickel(50), Polished Brass(55), Polished Nickel(56), Brushed Nickel(57), Satin Nickel(60), Antique Lacquered Copper(67), Antique Lacquered Brass(68), Weathered Brass(70), Lacquered Polished Black Nickel(71) and Lacquered Polished Copper(80).
- Please See Cleaning Instructions: <http://herbeau.com/CleaningAll.pdf> For Finish Care and Maintenance Information.

Please follow example when ordering parts for 'Lille' Mixer

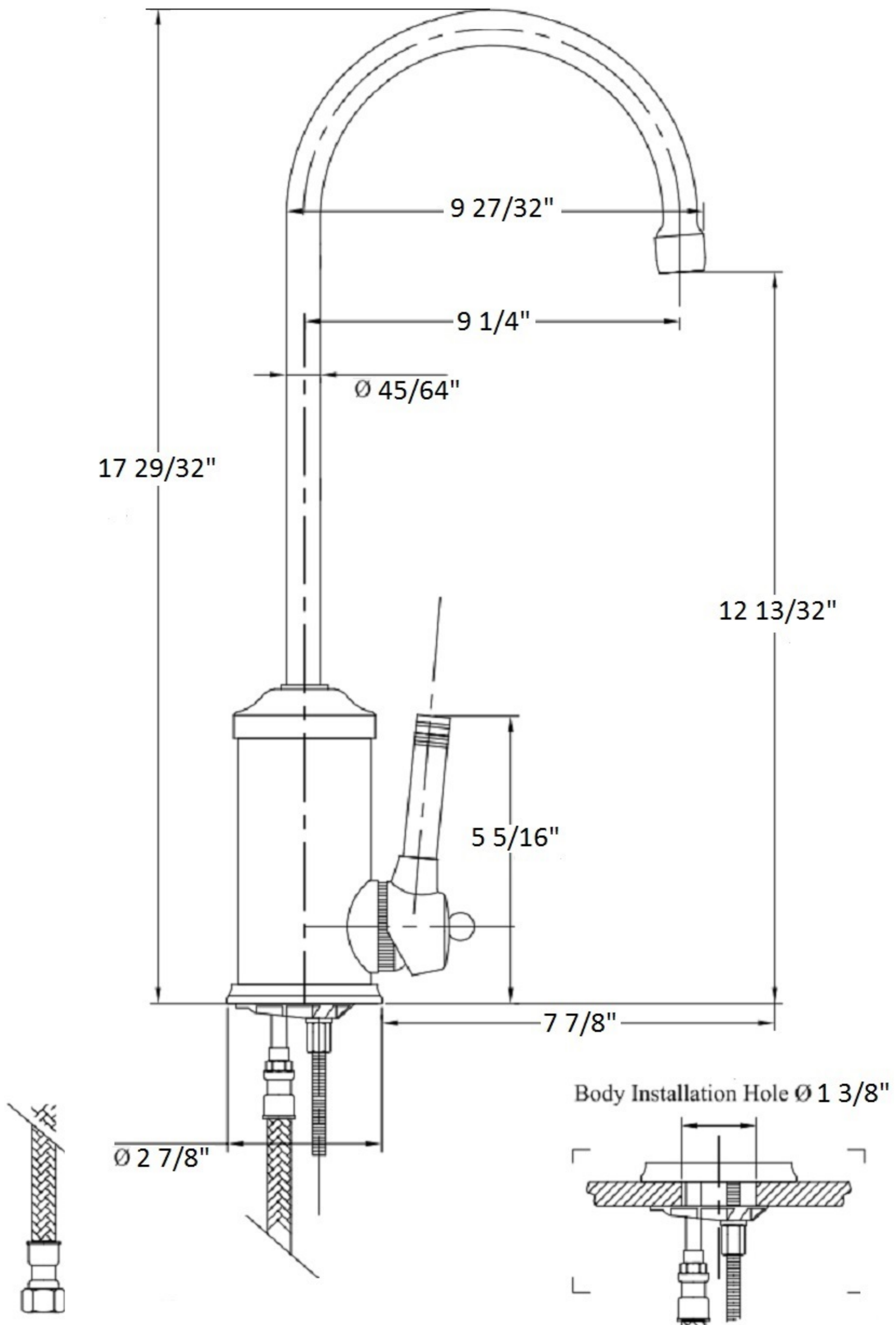
- To order part#01 – Lille Spout
 - 990527xx
- Please substitute finish number needed in place of **xx**

Part #	Description
01	Lille Spout-Ecobrass
02	Aerator Washer
03	Aerator Filter
04	Aerator Cover
05	Nylon Clip
06	Rubber O-Ring
07	Plastic Washer
08	Brass Dome
09	Swan Nut
10	Body
11	Single Lever Ceramic Cartridge
12	Cartridge Holding Nut Hex
13	Lille Handle Support
14	Round Screw
15	Inner Valve Body
16	Lower Escutcheon
17	Flat Rubber Washer
18	12" X 3/8" Flexible Supply Hose With O-Ring
18	Optional 30" X 3/8" Flexible Supply Hose With O-Ring
19	Brass Washer
20	Threaded Stem
20	Optional 12" Threaded Stem
21	Mounting Plate
22	Brass Washer
23	Hex Nut
24	Threaded Stem
25	Lille Metal Handle
26	Rubber O-Ring
27	Rubber O-Ring



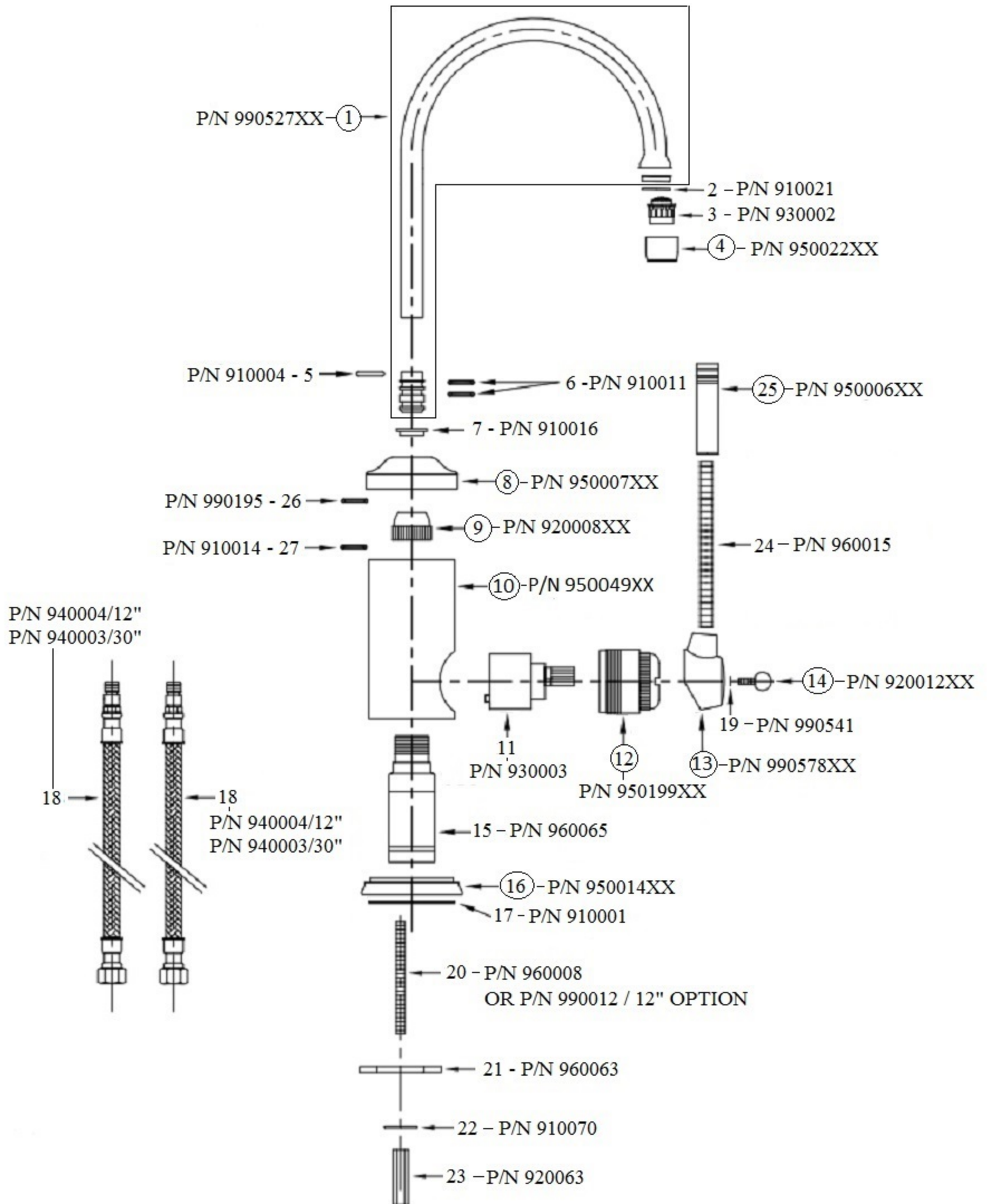
Herbeau[®]
L'Art du Sanitaire depuis 1857

4115 - 'Lille' Single Lever Deck Mount Mixer



4115 - 'Lille' Single Lever Deck Mount Mixer

*P/N = PART NUMBER



○ = FINISHED PARTS

XX = TWO DIGIT FINISH CODE