

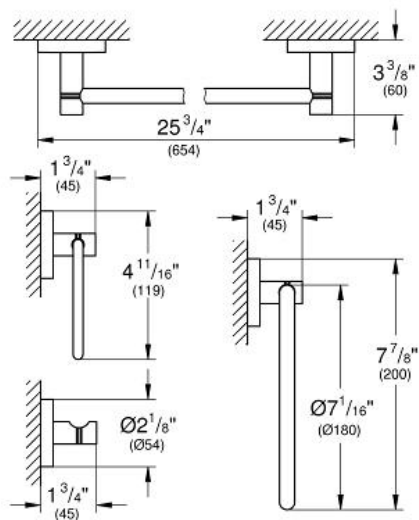
# ESSENTIALS

MODEL # 40823EN1

Pure Freude an Wasser



GROHE America, Inc | 200 North Gary Avenue, Suite G, Roselle, IL 60172  
Phone: +1 (800) 444-7643 | Fax: +1 (800) 225-2778 | us-customerservice@grohe.com



## Product Description:

### Standard Specification:

- Material: Metal
- 24" Towel rail (654 mm) (40 366 EN1)
- Robe hook (40 364 EN1)
- Toilet paper holder 40 689 EN1
- Towel ring (40 365 EN1)
- Concealed fastening
- **GROHE StarLight** finish

### Color:

- 40823EN1 brushed nickel