

# TRADITIONAL SINK HOLE COVER - LOGO BUTTON

## Model # 4070



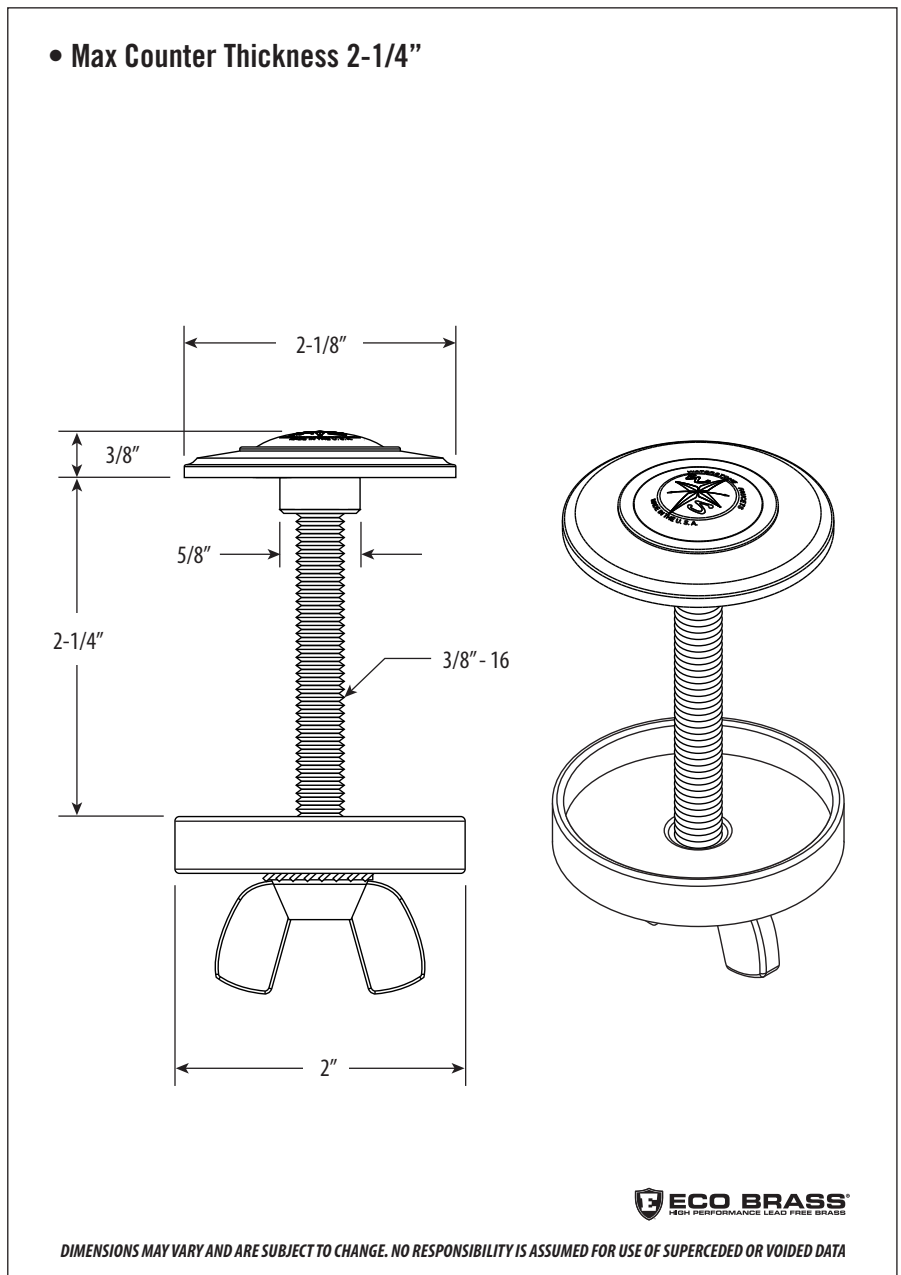
### PRODUCT DESCRIPTION

- Solid brass construction.
- 2-1/8" diameter covers standard size sink holes.
- Perfect for 2-holed Bridge Faucets.
- Mounting hardware included for easy installation
- Matches traditional faucet Suites.
- Stylish compass logo button.
- Made in the USA.

### CODES/STANDARDS APPLICABLE

Specified model meets or exceeds the following:

- ASME A112.18.1



### AVAILABLE IN 29 FINISHES + SOLID STAINLESS STEEL

Antique Brass - AB  
 Antique Bronze - ABZ  
 Antique Copper - AC  
 American Bronze - AMB  
 Antique Pewter - AP  
 Gloss Black - GB  
 Black Nickel - BLN  
 Black-Oil Rubbed Bronze - ORB  
 Caribbean Bronze - CB  
 Chocolate Bronze - CHB

Chrome - CH  
 Distressed Antique Brass - DAB  
 Distressed Antique Copper - DAC  
 Distressed American Bronze - DAMB  
 Distressed Antique Pewter - DAP  
 Matte Black - MB  
 Polished Brass - PB  
 Polished Copper - PC  
 Polished Gold - PG  
 Polished Nickel - PN

Satin Chrome - SC  
 Satin Gold - SG  
 Satin Nickel - SN  
 Stainless Steel - SS\*  
 Tuscan Brass - TB  
 Unlaquered Polished Brass - UPB  
 Venetian Bronze - VB  
 Weathered Brass - WB  
 Weathered Copper - WC