

RESORT 500 WALL-HUNG

Cat. No.
4-106X



Faucet Not Included

Width: 19-3/4"
Depth: 18-1/8"
Height: 6-1/4"

***Please do NOT drill hole without
template or actual product.**

Interior Dimensions:

Basin interior:	15" X 11"
Basin depth:	5-1/4"
Mount holes cc:	9-1/4"
Back of basin to center of faucet:	2-1/4"
Back of basin to center of drain:	8"
Faucet hole diameter:	1-3/8"

Features:

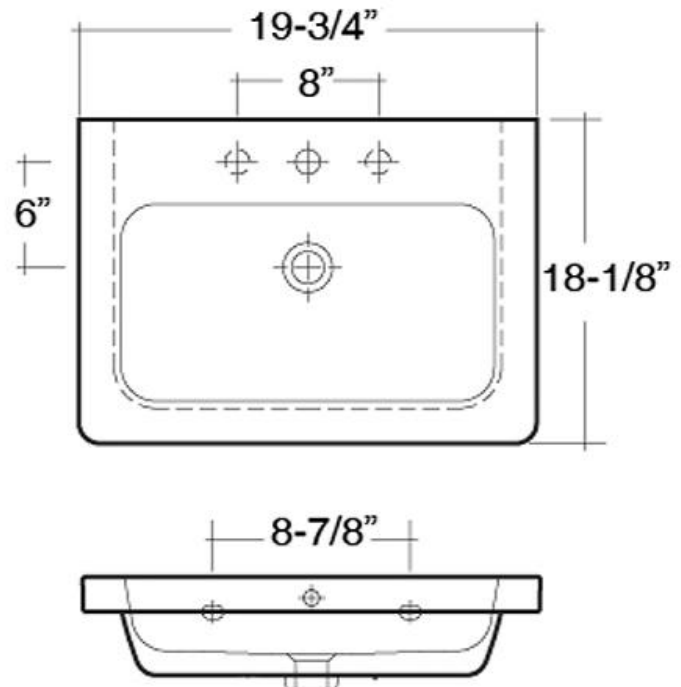
- ▶ Vitreous China
- ▶ Available with 1-Hole (4-1061) or 8" widespread (4-1068)
- ▶ Pre-drilled overflow hole
- ▶ Hardware included

Colors:

WH White

Compliance Certification

Meets or exceeds the following specifications: ASME A112.19.2 2013 and CSA B45.1-13 for plumbing fixtures.



Dimensions of fixture are nominal and may vary within the range of tolerances established by ANSI Standard A112.19.2. Dimensions and specifications subject to change without notice.