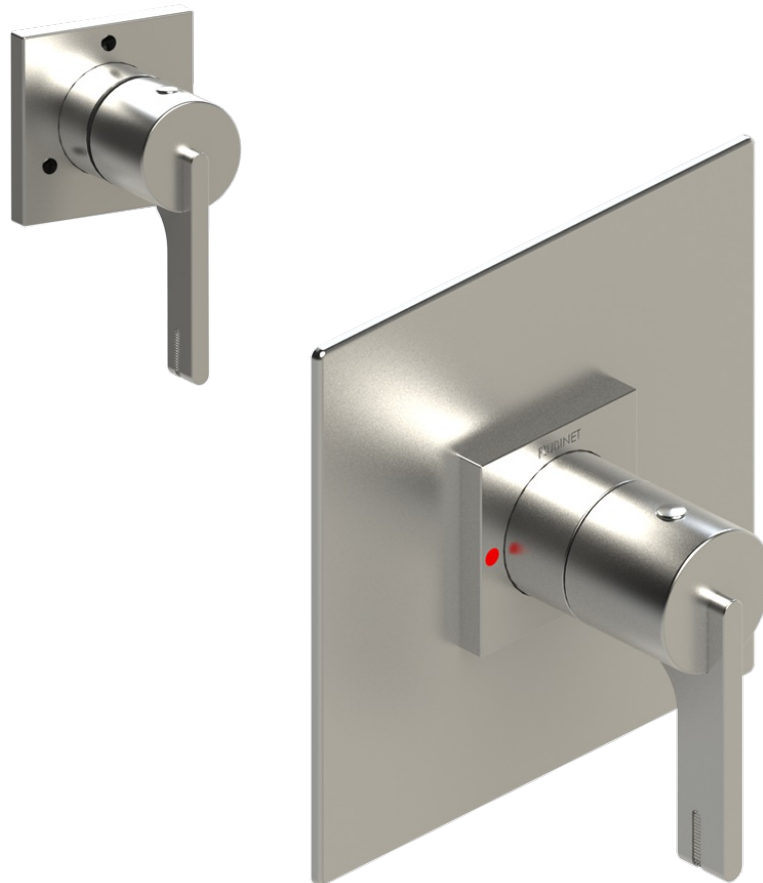
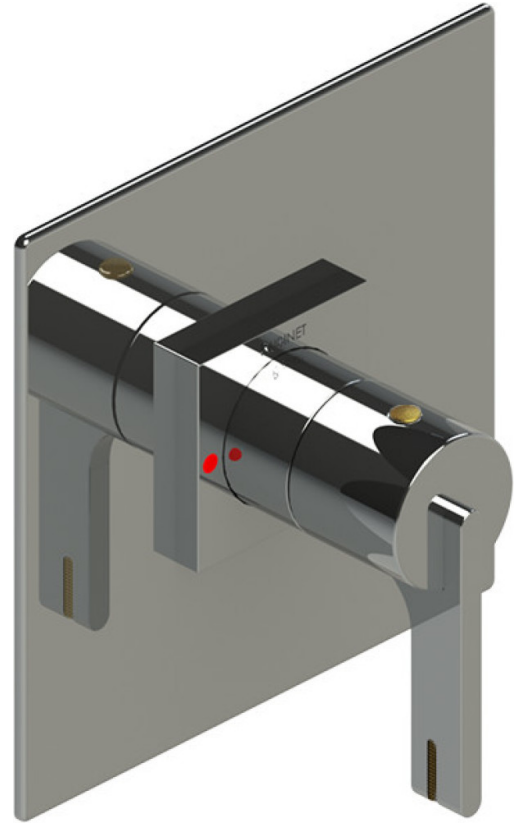
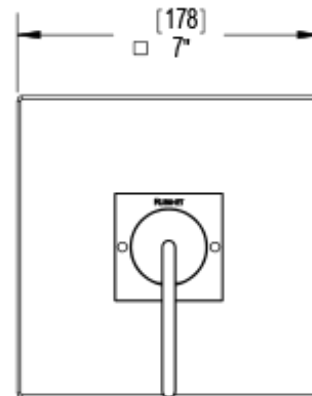
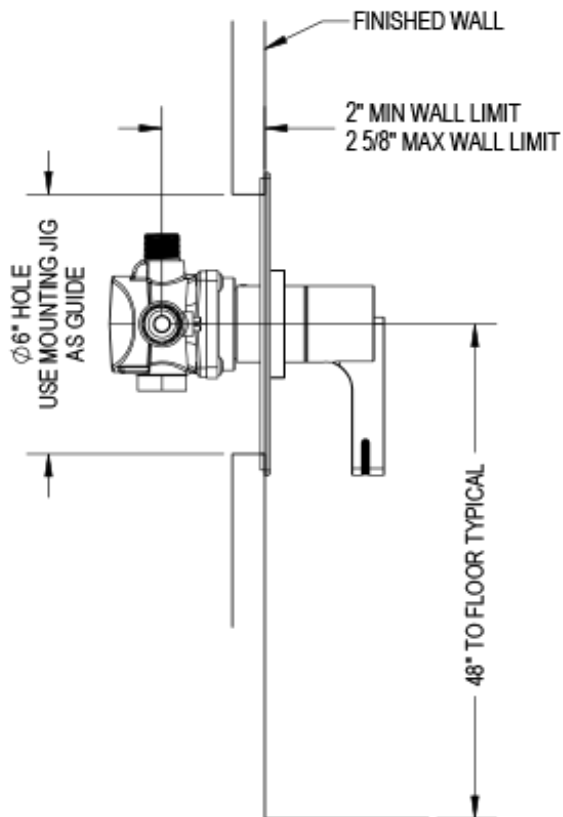


# 3YRTLCHABM Specifications





PRESSURE BALANCE SHOWER VALVE WITH STOPS, TRIM ONLY





THREE WAY DIVERTER VALVE WITH SHARED OUTLETS IN BETWEEN FUNCTIONS, TRIM ONLY

