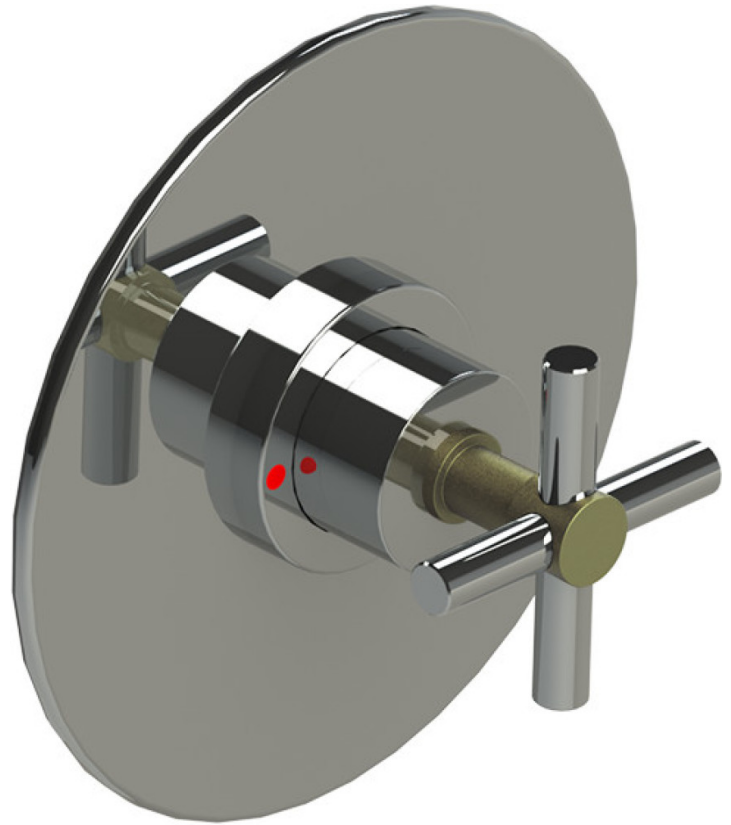
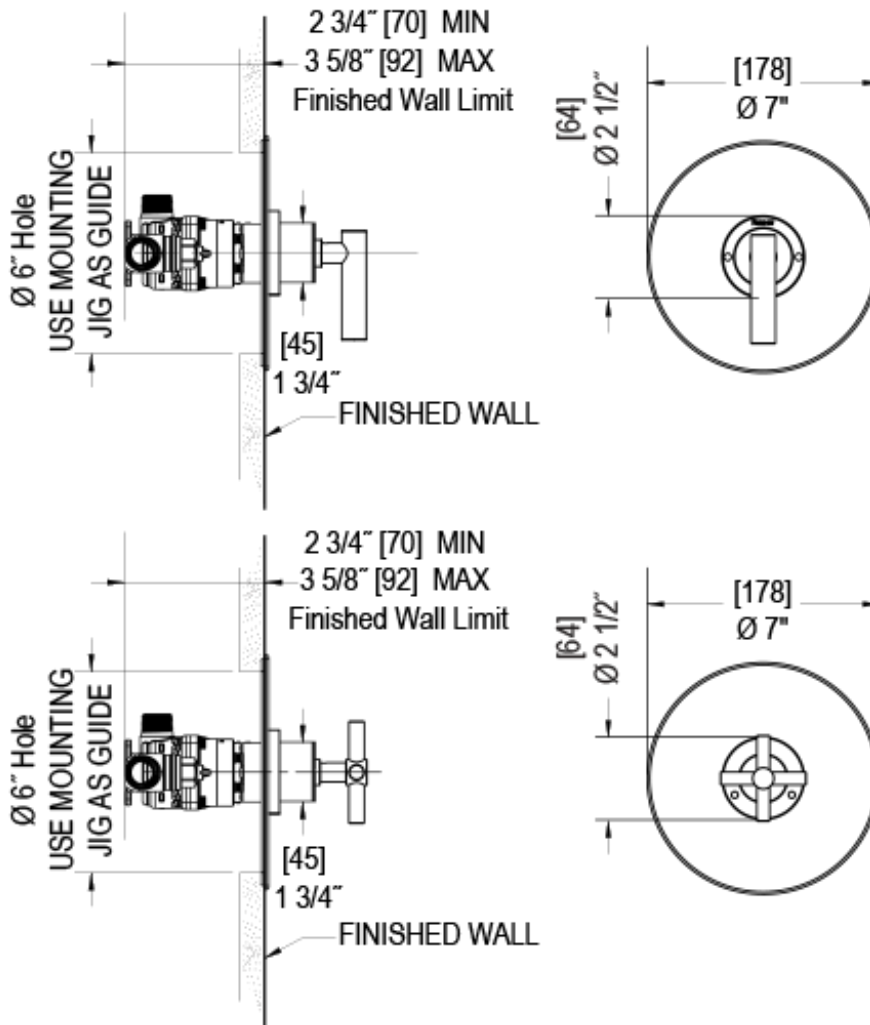


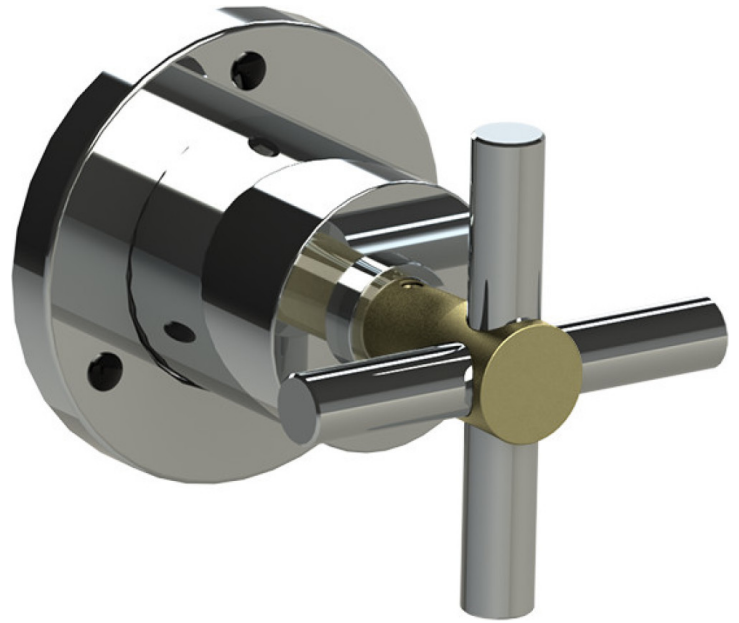
# 3YGNCCHABM Specifications





PRESSURE BALANCE SHOWER VALVE WITH STOPS TRIM ONLY





THREE WAY DIVERTER VALVE WITH SHARED OUTLETS IN BETWEEN FUNCTIONS TRIM ONLY

