

AXOR Citterio
AXOR Citterio Pressure Balance Trim
Finishes : **chrome** Part no. : **39414001**



Description

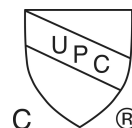
Features

- Integrated bypass for use with diverter tub spouts
- Temperature and on/off control for 1 outlet

Item details

List Price \$ 514.00

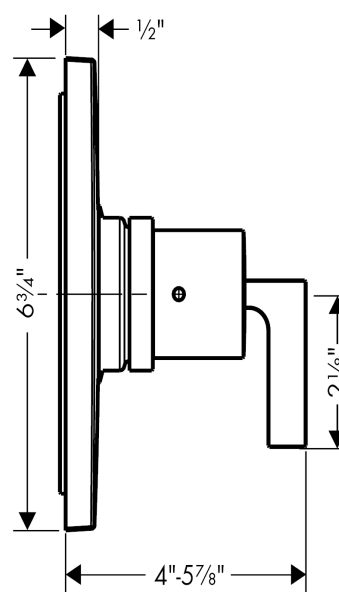
Compliance



Product image



Scale drawing

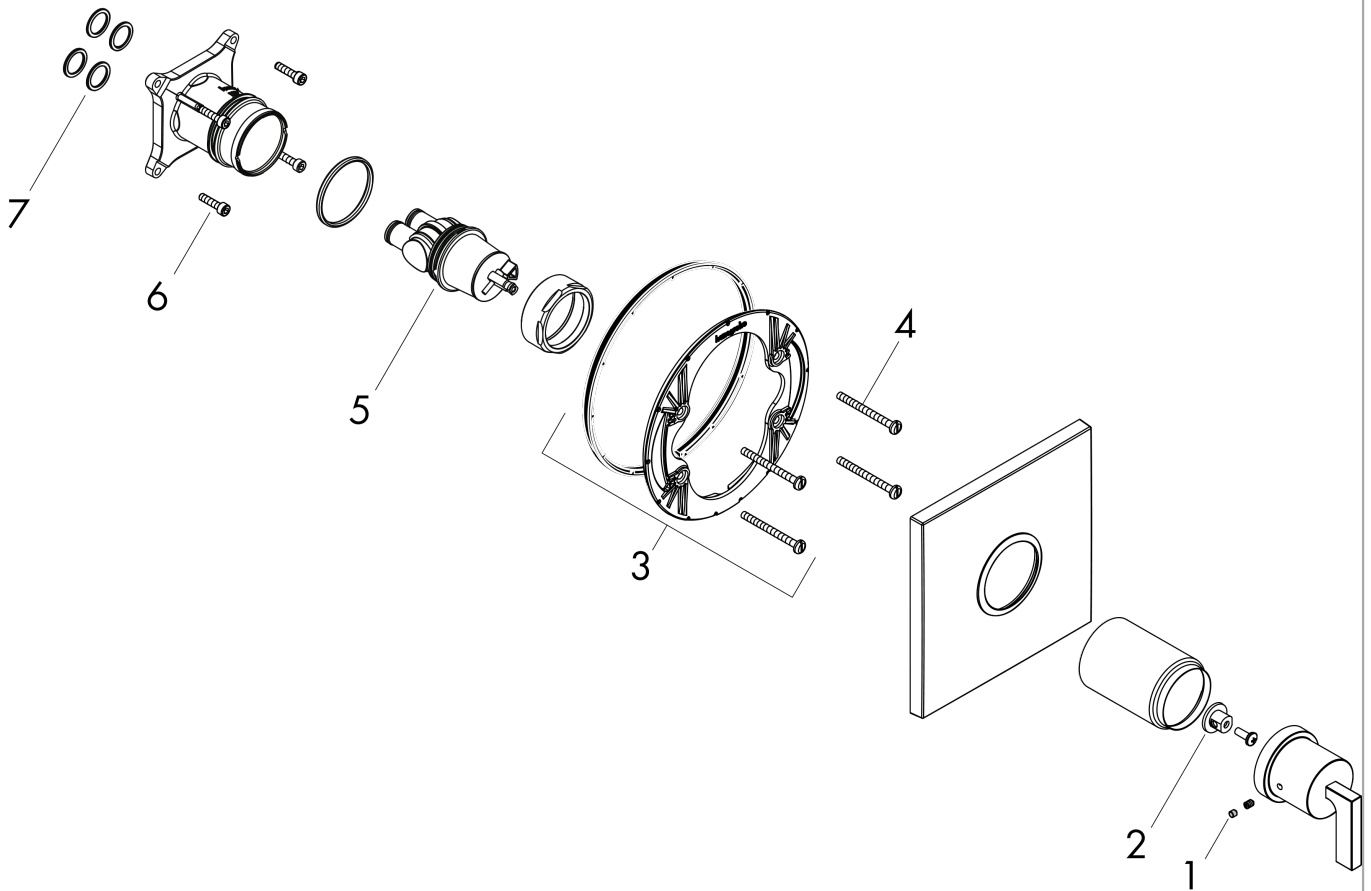


AXOR Citterio
AXOR Citterio Pressure Balance Trim
Finishes : **chrome** Part no. : **39414001**



Exploded drawing

Year of production: >06/09



AXOR Citterio
AXOR Citterio Pressure Balance Trim
 Finishes : **chrome** Part no. : **39414001**



Spare parts list

Year of production: >06/09

Pos.	Description	Part no.	Price	PU
1	screw cover	95181000	-	1
2	adapter for handle	92756000	-	1
3	holder for escutcheon	98793000	-	1
4	set of fixing screws	96454000	-	1
5	cartridge, assy	88727000	-	1
6	set of screws	96525000	-	1
7	O-ring 16x2	98133000	-	1
a	-	88782000	-	1
b	sleeve	88765000	-	1