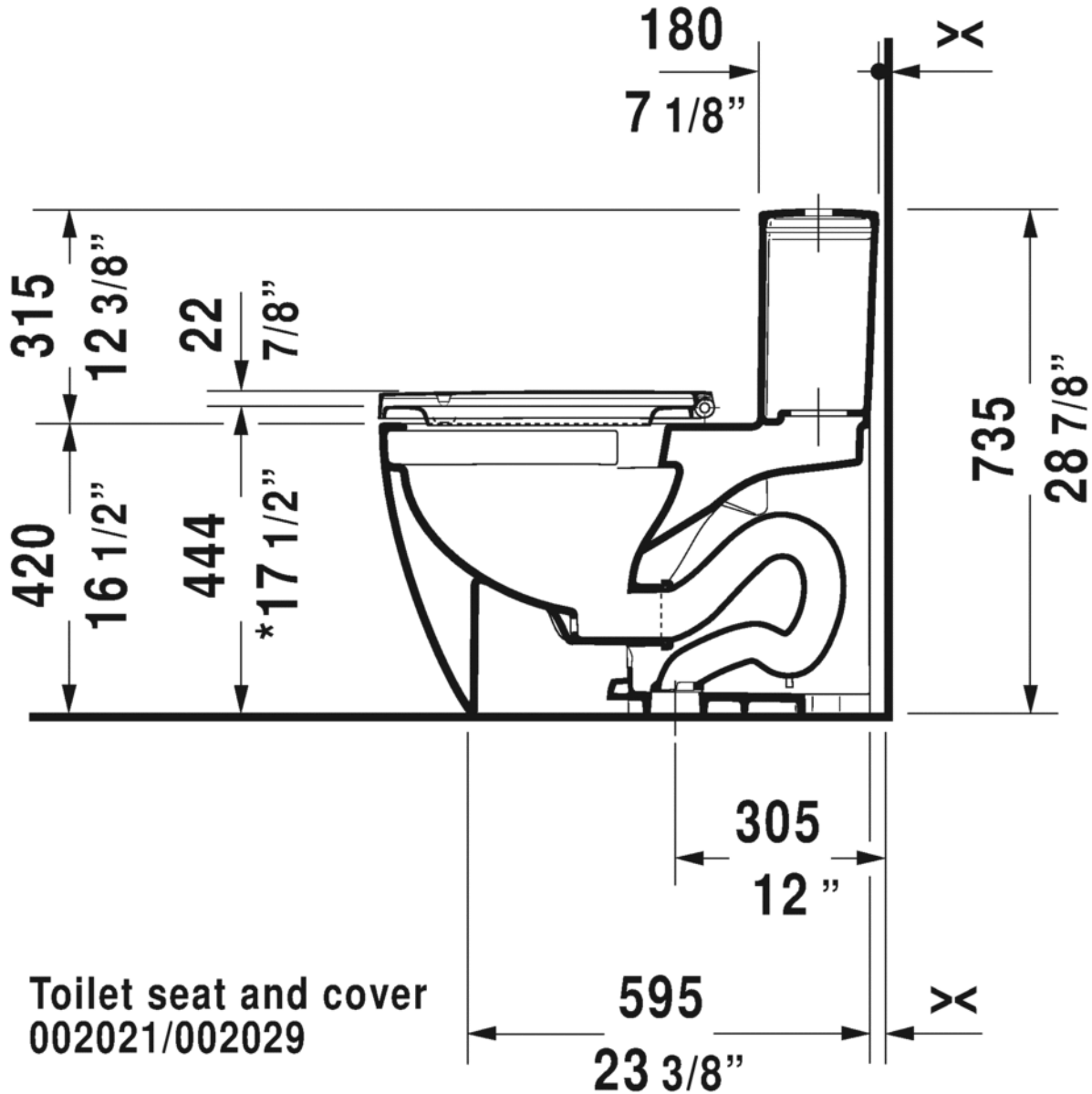


***ADA
Compliant
430-485
(17" - 19")**



**Toilet seat and cover
002021/002029**