

## META META SLIM Wall-mounted single-lever mixer without drain - Chrome

36 867 662 Product version from 7/1/2023



- 4-7/8" Projection
- Rigid spout
- Round aerated stream
- Hole diameter single-lever mixer 2-1/4"
- Spout hole diameter 1-3/8"
- Mixer with flange Ø 3-1/8"
- 2-1/8" diameter flange for spout
- Water flow rate limited to max. 1.2 gpm
- lead-free
- This product can help a building meet the requirements of Green Building Rating Systems, e.g. LEED®, BREEAM®, DGNB **(ADA)**

(ADA)

	Chrome	36 867 662-00 0010
	Brushed Platinum	36 867 662-06 0010
	Light gold	36 867 662-26 0010
	Brushed Light Gold	36 867 662-27 0010
	Matte Black	36 867 662-33 0010
	Brushed Bronze	36 867 662-42 0010
	Brushed Champagne (22kt Gold)	36 867 662-46 0010
	Champagne (22kt Gold)	36 867 662-47 0010
	Brushed Chrome	36 867 662-93 0010
	Brushed Dark Platinum	36 867 662-99 0010

### Required article



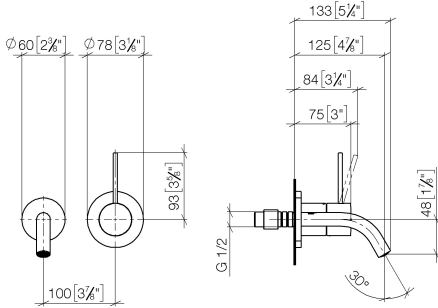
- Rough for wall-mounted faucet -** 35 860 970-90 0010
- Min. rough in depth "
  - Max. rough in depth "
  - Rough can be rotated to position the lever on top or to the left of the spout.



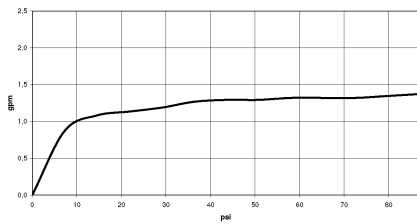
# META META SLIM Wall-mounted single-lever mixer without drain - Chrome

36 867 662 Product version from 7/1/2023

mm [inches]



## Flow rate chart



## Codes & Standards

ASME A112.18.1	California Energy Commission (CEC)	cUPC	EPA WaterSense
NSF372	NSF61	Water Sense	WaterSense





## META META SLIM Wall-mounted single-lever mixer without drain - Chrome

---

36 867 662 Product version from 7/1/2023

### Certificates

---

IAPMO\_N-4976

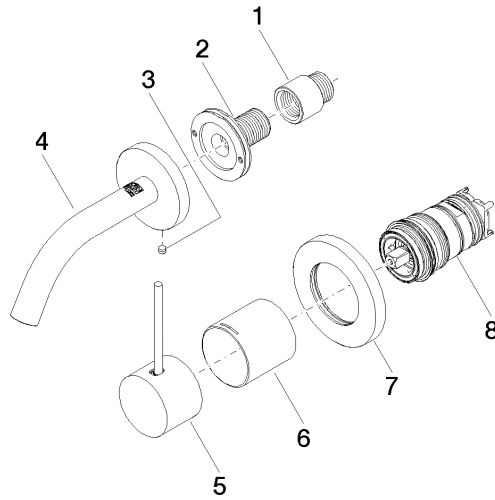
IAPMO\_6397

IAPMO\_8834

IAPMO\_4976 (

**META META SLIM Wall-mounted single-lever mixer without drain - Chrome**

36 867 662 Product version from 7/1/2023



**Spare parts list**

Number	Item Number	Designation	Number of units	Lead time
1	09 24 03 072 10 90	nipple	1	2
2	90 24 03 280 00 90	nipple	1	2
3	09 31 11 112 90	pin	1	60
4	90 28 22 363 00-00	spout	1	10
5	90 20 66 022 00-00	handle	1	10
6	09 11 02 336-00	sleeve	1	10
7	90 27 62 011 00-00	rosette	1	10
8	90 15 05 044 02 90	cartridge	1	2