

AXOR ShowerSelect
Axor ShowerSelect Round Thermostatic 1-Function Trim
 Finishes : **Chrome** Part no. : **36722001**



Description

Features

- Select push-button on/off control for 1 outlet
- Thermostatic cartridge
- Start/stop cartridge
- Anti-scald 100° safety stop
- Flow: 7 GPM

Required accessories

- iBox Universal Plus Rough with Service Stops, 3/4" (#01850USA)

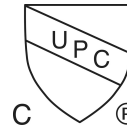
Item details

List Price \$ 1,030.00

Technology



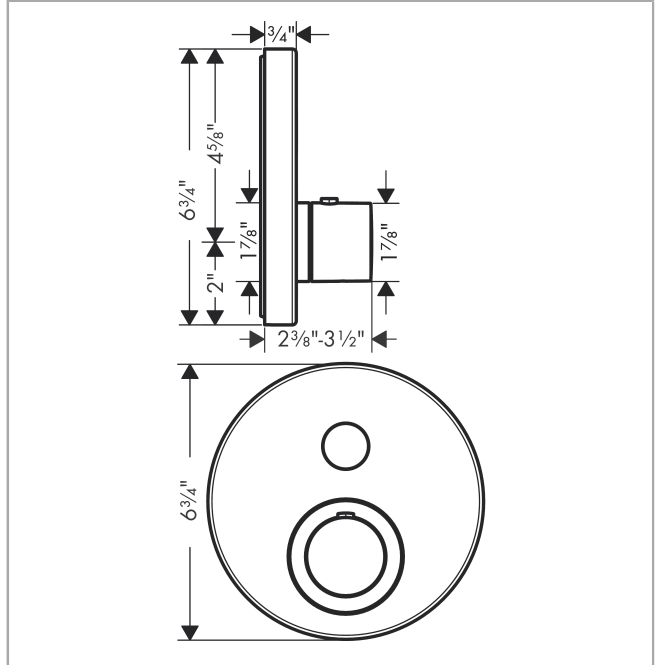
Compliance



Product image



Scale drawing

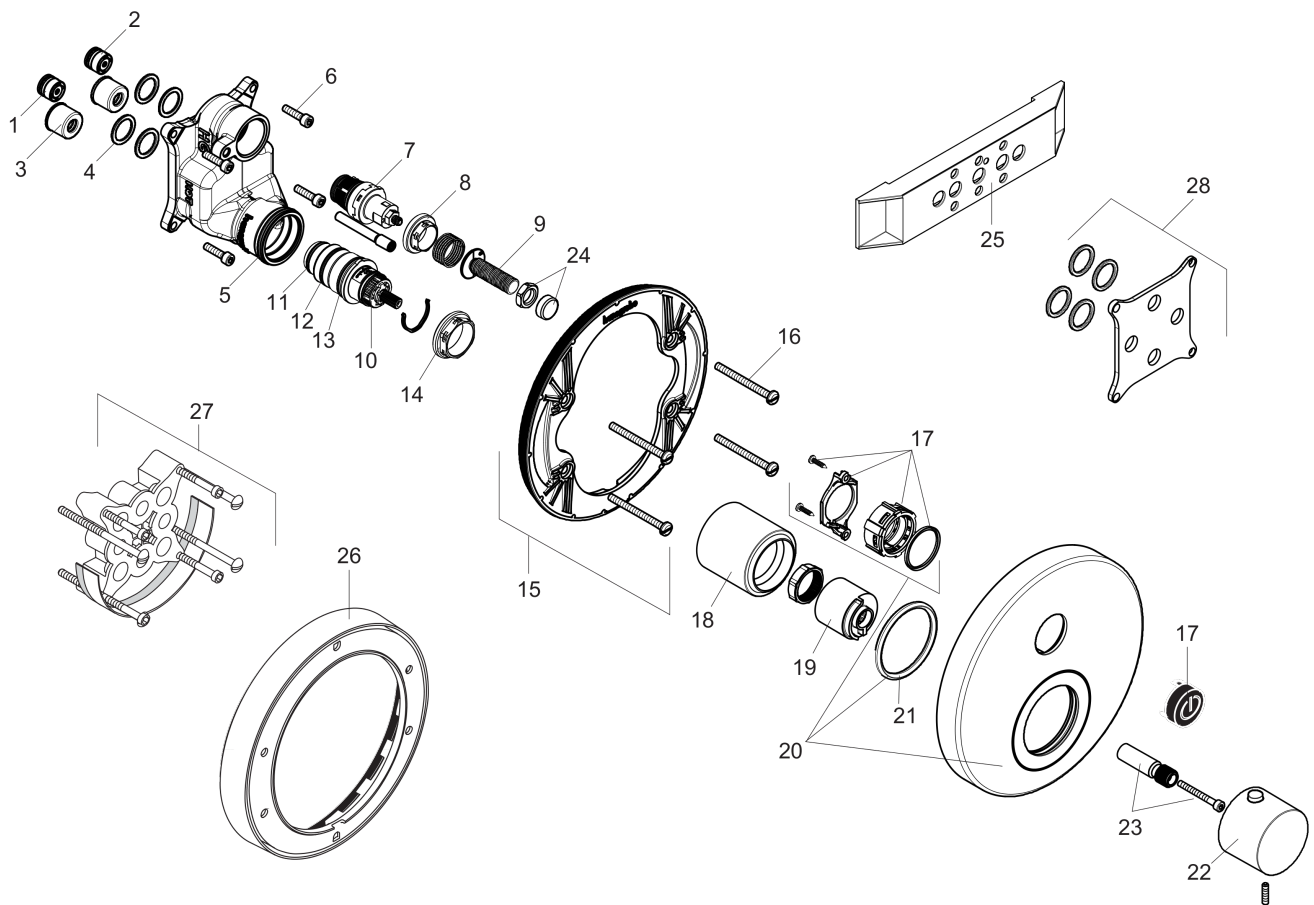


AXOR ShowerSelect
Axor ShowerSelect Round Thermostatic 1-Function Trim
Finishes : **Chrome** Part no. : **36722001**



Exploded drawing

Year of production: >01/16



AXOR ShowerSelect
Axor ShowerSelect Round Thermostatic 1-Function Trim
 Finishes : **Chrome** Part no. : **36722001**



Spare parts list

Year of production: >01/16

Pos.	Description	Part no.	Price	PU
1	non return valve (pressure-resistant up to 2 MPa)	92594000	-	1
2	non return valve	97980000	-	1
3	noise reduction	94073000	-	1
4	O-ring 16x2	98133000	-	1
5	O-ring 36x2	98156000	-	1
6	set of screws	96525000	-	1
7	shut off unit	95758000	-	1
8	nut	98368000	-	1
9	Select-adapter	92219000	-	1
10	thermostat cartridge	98282001	-	1
11	O-ring 20x1,5	98197000	-	1
12	O-ring 25x1,5	98146000	-	1
13	O-ring 25x2,5	92146000	-	1
14	nut	98913000	-	1
15	sub plate	96447000	-	1
16	set of fixing screws	96454000	-	1
17	set of symbols	92544610	-	1
18	sleeve	92546000	-	1
19	safety set for temperature control	97334000	-	1
20	escutcheon Ø 170 mm	92641001	-	1
21	O-ring 48x4	98414000	-	1
22	handle for thermostat	92534000	-	1
23	adapter for handle	98701000	-	1
24	nut and flange	92696000	-	1
25	fit-up aid	92540000	-	1
26	extension 22 mm (Ø 170 mm)	13596000	-	1
27	extension 25 mm	13595000	-	1
28	compensation set 1°	95521000	-	1
a	Grease	90920000	-	1
b	set of fixing screws	97747000	-	1