

**VAIA Wall-mounted basin mixer without pop-up waste - Brushed Champagne (22kt Gold)**

VAIA

36 702 819 Product version from 4/1/2024



- 125mm projection
- fixed spout
- circular, air-enriched flow
- hole diameter valve 35 mm
- hole diameter spout 35 mm
- rosettes Ø 60 mm
- max. flow 4.5 l/min
- lead-free
- This product can help a building meet the requirements of Green Building Rating Systems, e.g. LEED®, BREEAM®, DGNB

	Brushed Champagne (22kt Gold)	36 702 819-46 0010
	Chrome	36 702 819-00 0010
	Brushed Platinum	36 702 819-06 0010
	Platinum	36 702 819-08 0010
	Brushed Durabronze (23kt Gold)	36 702 819-28 0010
	Brushed Dark Brass	36 702 819-39 0010
	Brushed Bronze	36 702 819-42 0010
	Champagne (22kt Gold)	36 702 819-47 0010
	Brushed Dark Platinum	36 702 819-99 0010

**Required miscellaneous**



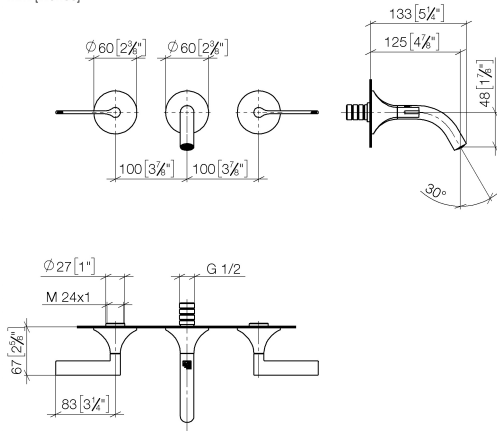
**Concealed wall-mounted mixer variable positioning -** 35 720 970-90 0010  
 •min. recess depth 85 mm  
 •max. recess depth 145 mm

**Required miscellaneous**




**Concealed wall-mounted mixer centred spout -** 35 700 970-90 0010  
 •min. recess depth 85 mm  
 •max. recess depth 145 mm

36 702 819 Product version from 4/1/2024  
mm [inches]

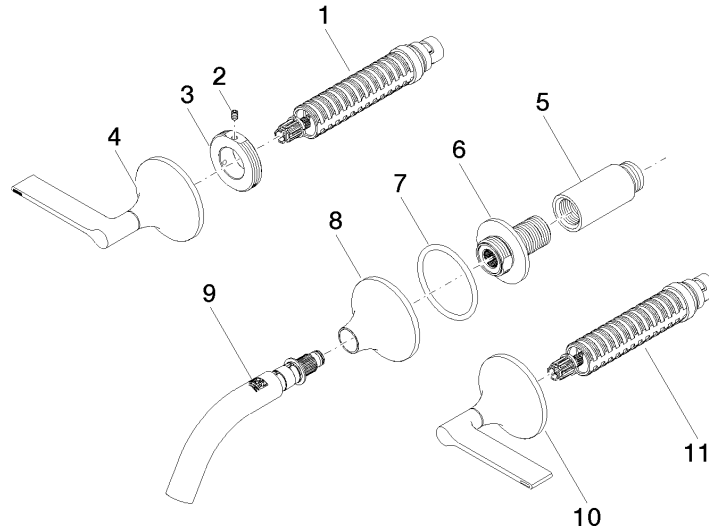


**Codes & Standards**

ASME A112.18.1	California Energy Commission (CEC)	cUPC	EPA WaterSense
NSF372	NSF61	WaterSense	

**Certificates and sustainability**

IAPMO_6397	IAPMO_N-4976	IAPMO_4976 (	IAPMO_8834	EPD-DOR-20230287 -IBA1-EN Environmental product-declarat
------------	--------------	--------------	------------	--



### Spare parts list

No.	Item Number	Name	Quantity used	Delivery time
	6 09 24 03 269 90	Nipple Ø 46 x 48,50 mm -	1.00	2
	7 09 14 10 084 90	O-Ring EPDM 70 48 x 3,5 mm -	1.00	2
	2 09 31 11 008 90	Mounting Threaded pin with hexagon socket M4 x 6 mm -	2.00	2
	5 09 24 03 081 10 90	Extension 1/2" x 50 mm -	1.00	2
	3 09 21 02 163 90	Mounting Ø 42 x 18 mm -	2.00	2
	9 90 28 22 366 00-46	Spout - Brushed Champagne (22kt Gold)	1.00	30
	8 09 27 80 011-46	rosette	1.00	60
	4 90 20 80 013 00-46	Handle for side valve Hot Lever 113 x 68 x 60 mm - Brushed Champagne (22kt Gold)	1.00	30
	10 90 20 80 012 00-46	Handle for side valve Cold Lever 113 x 68 x 60 mm - Brushed Champagne (22kt Gold)	1.00	30
	1 90 90 03 156 00 90	Head part anti-clockwise closing 1/2" -	1.00	2
	11 90 90 03 157 00 90	Head part clockwise closing 1/2" -	1.00	2