

36 608 809 Product version from 4/1/2025




- Flange diameter 2-3/8"
- Ceramic disc cartridge
(ADA)

(ADA)

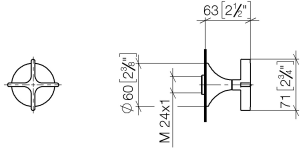
	Platinum	36 608 809-08
	Chrome	36 608 809-00
	Brushed Platinum	36 608 809-06
	Dark Chrome	36 608 809-19
	Brushed Durabronze (23kt Gold)	36 608 809-28
	Brushed Dark Brass (PVD)	36 608 809-39
	Brushed Bronze (PVD)	36 608 809-42
	Brushed Champagne (22kt Gold)	36 608 809-46
	Champagne (22kt Gold)	36 608 809-47
	Brushed Dark Platinum	36 608 809-99

Required article

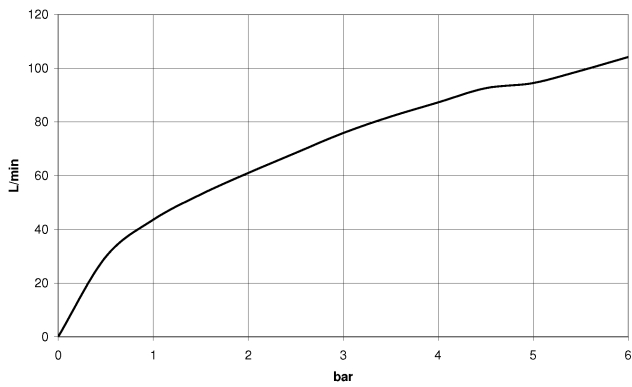
	Rough for volume control 3/4" - 35 608 970-90 •Max. rough in depth 5-3/4" 0010 •Min. rough in depth 3"
--	---

36 608 809 Product version from 4/1/2025

mm [inches]



Flow rate chart



Codes & Standards

ADA

ASME A112.18.1

cUPC

Scottish Water
Byelaws

UK Water Supply
Regulations



VAIA Volume Control clockwise-closing 3/4" - Platinum

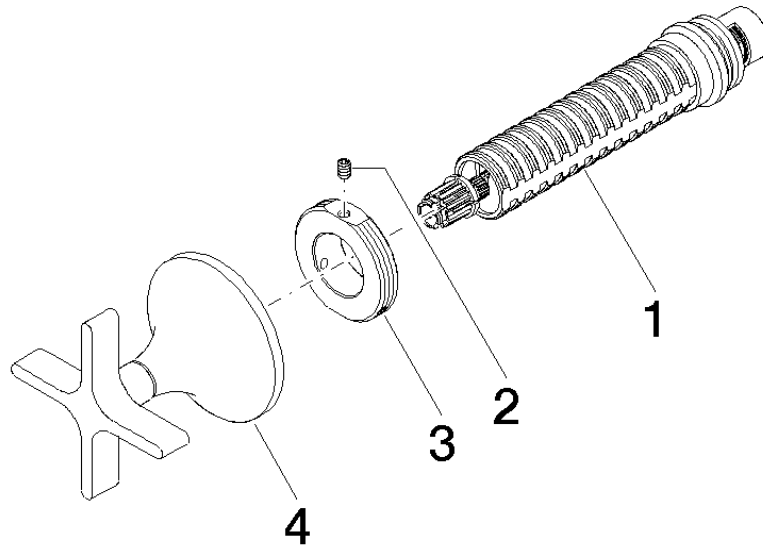
VAIA

36 608 809 Product version from 4/1/2025

Certificates and sustainability

WRAS_2010

IAPMO_4976 (



Spare parts list

Number	Item Number	Designation	Number of units	Lead time
2	09 31 11 008 90	pin	1.00	2
1	90 90 03 127 00 90	top	1.00	2
3	09 21 02 163 90	disc	1.00	2
4	90 20 80 014 00-08	handle	1.00	-

Spare part can no longer be ordered, please order the replacement item