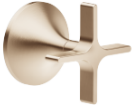



36 607 809 Product version from 4/1/2024

- rosette Ø 60 mm
- head part with cut-to-length spindle and sleeve
- WRAS



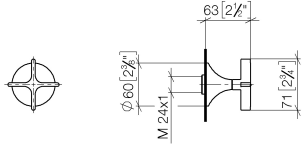
| | | |
|--|--------------------------------|---------------|
|  | Brushed Champagne (22kt Gold) | 36 607 809-46 |
|  | Chrome | 36 607 809-00 |
|  | Brushed Platinum | 36 607 809-06 |
|  | Platinum | 36 607 809-08 |
|  | Dark Chrome | 36 607 809-19 |
|  | Brushed Durabronze (23kt Gold) | 36 607 809-28 |
|  | Brushed Dark Brass | 36 607 809-39 |
|  | Brushed Bronze | 36 607 809-42 |
|  | Champagne (22kt Gold) | 36 607 809-47 |
|  | Brushed Dark Platinum | 36 607 809-99 |

Required miscellaneous

| | | |
|--|---|-----------------------|
|  | Wall valve 1/2" - •min. recess depth 75 mm •max. recess depth 145 mm | 35 607 970-90 0010 |
|--|---|-----------------------|

36 607 809 Product version from 4/1/2024

mm [inches]

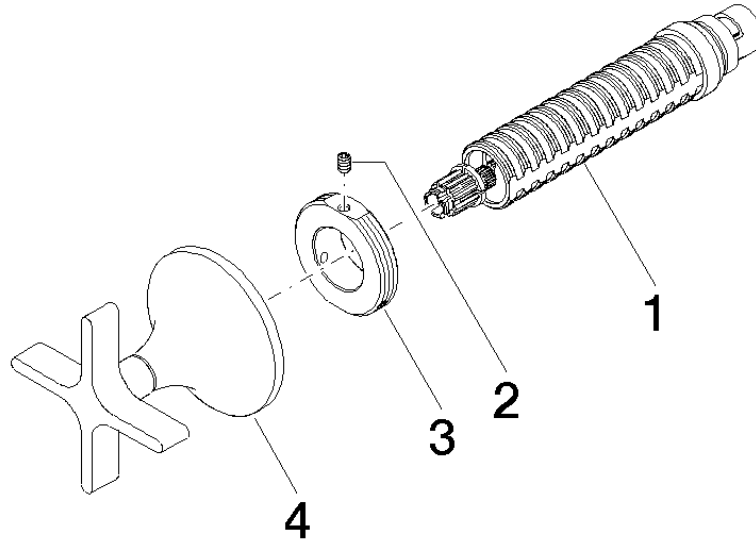


Codes & Standards

| | | | |
|-----------------------------|----------------|----------|------------------------|
| ADA | ASME A112.18.1 | cUPC | DIN 4109 |
| EN 1111 | EN 200 | ISO 3822 | Scottish Water Byelaws |
| UK Water Supply Regulations | Ü-Zeichen | | |

Certificates and sustainability

| | | | | |
|--------------|--|-----------------|--------|-----------|
| WRAS_2011 | DVGW_DW-6501DN0 | DVGW_DW-6512DN0 | LGA_29 | WRAS_2010 |
| IAPMO_4976 (| EPD-DOR-20230287 -IBA1-EN Environmental product-declarat | | | |



Spare parts list

| No. | Item Number | Name | Quantity used | Delivery time |
|-----|--------------------|--|---------------|---------------|
| 3 | 09 21 02 163 90 | Mounting Ø 42 x 18 mm - | 1.00 | 2 |
| 4 | 90 20 80 014 00-46 | Handle for wall valve Neutral Ø 71 x 63 mm - Brushed Champagne (22kt Gold) | 1.00 | 30 |
| 2 | 09 31 11 008 90 | Mounting Threaded pin with hexagon socket M4 x 6 mm - | 1.00 | 2 |
| 1 | 90 90 03 143 00 90 | Head part clockwise closing 1/2" - | 1.00 | 2 |