

36 513 979 Product version from 10/1/2023



- AQUAPRESSURE FLOW, max. flow rate 1.8 gpm (at 3 bar)
- Adjustable jet

Technical data:

- Cover plate 9-1/2" x 2-3/8"
- 1/2" connection

Notes:

- This product reduces water consumption by 28% (compared to requirements of EPA Act '92)
- This product contributes to meeting the requirements of the LEED® Green Building Rating
- This product can help a building meet the requirements of Green Building Rating Systems, e.g. LEED®, BREEAM®, DGNB

	Brushed Platinum	36 513 979-06 0010
	Chrome	36 513 979-00 0010
	Platinum	36 513 979-08 0010
	Dark Chrome	36 513 979-19 0010
	Light gold	36 513 979-26 0010
	Brushed Light Gold	36 513 979-27 0010
	Brushed Durabronze (23kt Gold)	36 513 979-28 0010
	Matte Black	36 513 979-33 0010
	Brushed Dark Brass	36 513 979-39 0010
	Brushed Bronze	36 513 979-42 0010
	Brushed Champagne (22kt Gold)	36 513 979-46 0010
	Champagne (22kt Gold)	36 513 979-47 0010
	Brushed Chrome	36 513 979-93 0010
	Brushed Dark Platinum	36 513 979-99 0010

Required article



Rough -

- Max. rough in depth 6-3/4"
- Min. rough in depth 3-7/8"

35 206 970-90
0010

Recommended article



xGRID Mounting bracket for drywall construction -

12 340 970 90

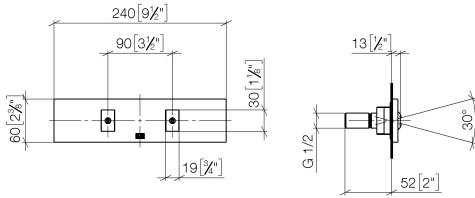
Required article



xGRID Installation track 21.85" - 12 360 970 90

36 513 979 Product version from 10/1/2023

mm [inches]

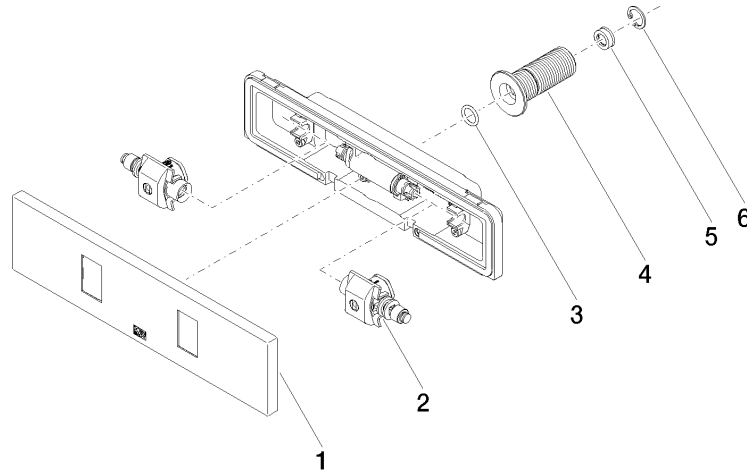


Codes & Standards

ASME A112.18.1	California Energy Commission (CEC)	cUPC
----------------	--	------

Certificates and sustainability

IAPMO_4976 (



Spare parts list

Number	Item Number	Designation	Number of units	Lead time
6	09 16 01 014 90	ring	1.00	2
2	90 31 10 013 00 90	insert	1.00	2
5	09 23 01 165 90	flow reducer	1.00	2
3	09 14 10 003 90	seal	1.00	2
1	90 27 99 002 00-06	insert	1.00	10
4	09 24 05 015 90	nipple	1.00	2