

35 206 970

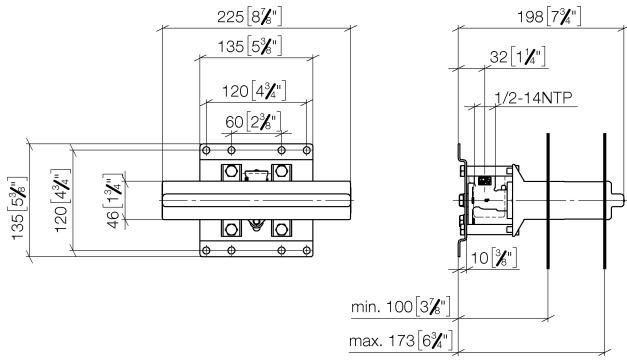


- female thread 1/2" connection
- Mud guard
- Water protection

NOTE: Important for certain series! Due to minimum rough-in requirements, a framing of 2x6 studs may be needed.

35 206 970

mm [inches]



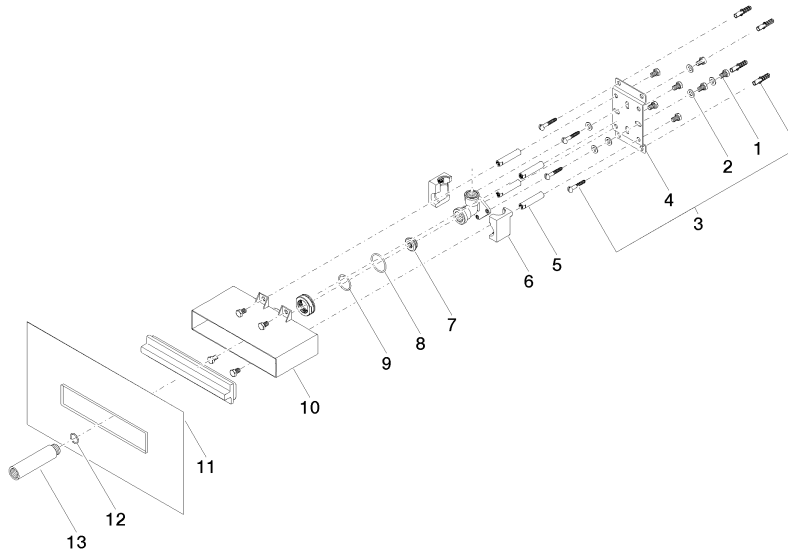
Codes & Standards

ASME A112.18.1 cUPC

Certificates and sustainability

IAPMO_4976 (

35 206 970



Spare parts list

Number	Item Number	Designation	Number of units	Lead time
4	09 17 20 094 90	holder	1.00	2
5	09 18 40 138 90	sleeve	1.00	60
7	04 31 20 006 00 90	plug	1.00	2
1	09 30 30 152 90	screw	11.00	2
11	04 14 03 126 00 90	gasket kit	1.00	2
10	09 11 11 053 90	accessories	1.00	60
8	09 14 10 149 90	seal	1.00	2
6	09 11 11 036 90	accessories	1.00	2
3	04 30 31 024 01 90	fixing set	2.00	2
13	09 24 03 169 10 90	adaptor	1.00	2
2	09 30 11 139 90	disc	6.00	2
9	09 14 10 118 90	seal	1.00	2
12	90 14 10 010 00 90	seal	1.00	2