

# HUNLEY PREP FAUCET - 4 PIECE SUITE

## Model # 3500-4



### PRODUCT DESCRIPTION

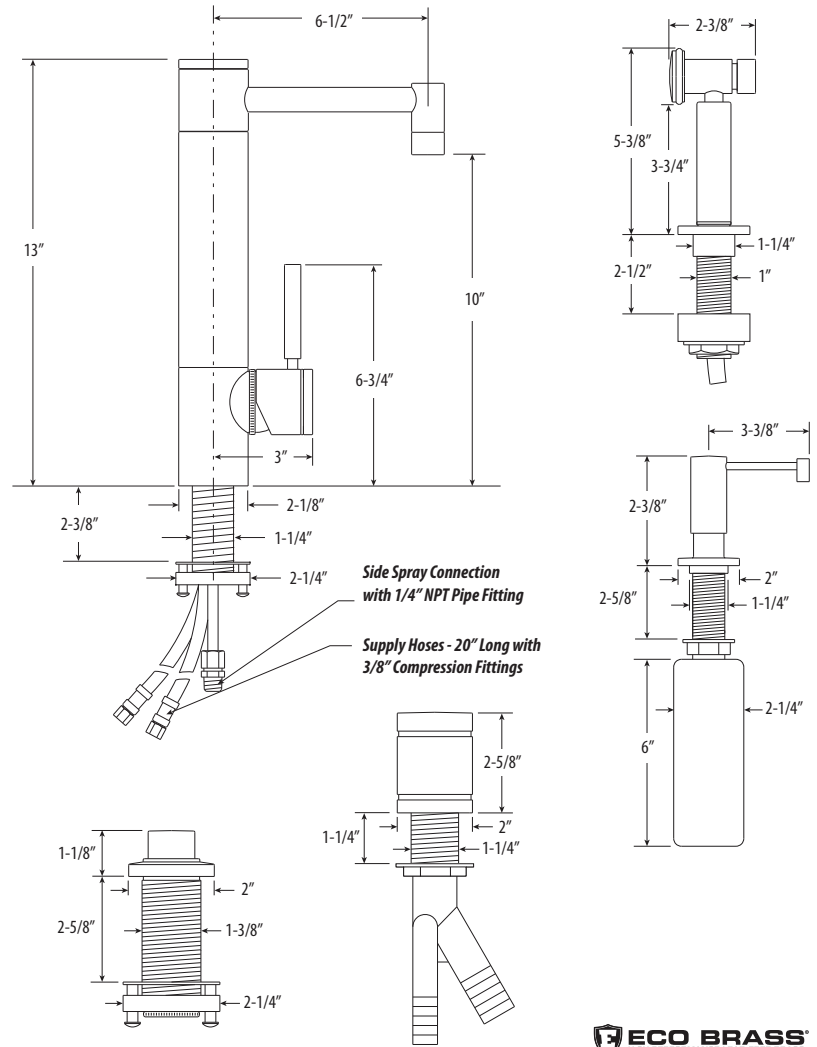
- Suite includes Side Spray, Soap/Lotion Dispenser, Air Switch and Single Port Air Gap.
- Full size, smaller reach Kitchen Faucet.
- Ideal for kitchen islands or wet bars.
- Sleek straight spout with 6-1/2" reach.
- Part of the Hunley Contemporary Suite.
- Spout swivels 360 degrees.
- Equipped with diverter for optional side spray.
- 1.75 gpm maximum flow rate with aerated tip.
- Aerated stream.
- Ergonomic single lever handle.
- Adjustable PTFE "Friction Lock" helps handle feel and prevents sag.
- Handle adjusts 22.5 degrees in either direction for backsplash clearance.
- Hot/Cold ceramic disk valve cartridge.
- Reversible and removable hot/cold ring indicator.
- Solid brass or stainless steel construction.
- Compatible with Reverse Osmosis filtration systems.
- Reinforced braided connection hoses.
- Lifetime Functional Warranty.
- Made in America.

### CODES/STANDARDS APPLICABLE

Specified model meets or exceeds the following:

- ASME A112.18.1
- CSA B125.1
- NSF 61, 372
- CALGreen

- Max Counter Thickness 2-3/8"
- Minimum Install Hole Size 1-3/8"



DIMENSIONS MAY VARY AND ARE SUBJECT TO CHANGE. NO RESPONSIBILITY IS ASSUMED FOR USE OF SUPERCEDED OR VOIDED DATA

### AVAILABLE IN 29 FINISHES + SOLID STAINLESS STEEL

Antique Brass - AB  
Antique Bronze - ABZ  
Antique Copper - AC  
American Bronze - AMB  
Antique Pewter - AP  
Gloss Black - GB  
Black Nickel - BLN  
Black-Oil Rubbed Bronze - ORB  
Caribbean Bronze - CB  
Chocolate Bronze - CHB

Chrome - CH  
Distressed Antique Brass - DAB  
Distressed Antique Copper - DAC  
Distressed American Bronze - DAMB  
Distressed Antique Pewter - DAP  
Matte Black - MB  
Polished Brass - PB  
Polished Copper - PC  
Polished Gold - PG  
Polished Nickel - PN

Satin Chrome - SC  
Satin Gold - SG  
Satin Nickel - SN  
Stainless Steel - SS\*  
Tuscan Brass - TB  
Unlaquered Polished Brass - UPB  
Venetian Bronze - VB  
Weathered Brass - WB  
Weathered Copper - WC