

33 870 888 Product version from 2/1/2023 to 10/30/2024



- 9-1/2" Projection
- Swiveling spout 360°
- Optional restricted swivel available with swivel limiter set 12 823 970 90
- Laminar and spray function
- Total height 20"
- 9-3/4" height to aerator/spout outlet
- 1-3/8" hole diameter
- 2 x pressure hose with 3/8" compression fitting
- 59" metal shower hose
- Sprayface with descaling system
- Water flow rate limited to max. 1.5 gpm
- lead-free
- Spray types can be changed while the water is running
- This product can help a building meet the requirements of Green Building Rating Systems, e.g. LEED®, BREEAM®, DGNB

(ADA)

Internal backflow preventer.

Push button locks into spray mode when pressed. To switch back to laminar flow the water must be turned off.

	Chrome	33 870 888-00 0010
	Brushed Platinum	33 870 888-06 0010
	Platinum	33 870 888-08 0010
	Durabronze (23kt Gold)	33 870 888-09 0010
	Dark Chrome	33 870 888-19 0010
	Brushed Durabronze (23kt Gold)	33 870 888-28 0010
	Matte Black	33 870 888-33 0010
	Brushed Bronze	33 870 888-42 0010
	Brushed Champagne (22kt Gold)	33 870 888-46 0010
	Champagne (22kt Gold)	33 870 888-47 0010
	Brushed Chrome	33 870 888-93 0010
	Brushed Dark Platinum	33 870 888-99 0010

Recommended article

	Swivel limiter set -	12 823 970 90
--	-----------------------------	---------------

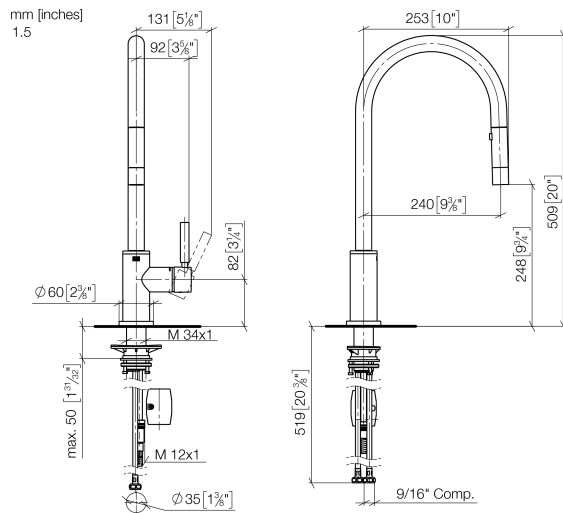
Recommended article

	AIR SWITCH operating button, trim parts only - Chrome	10 713 970-00
--	--	---------------

Recommended article

	Soap dispenser with flange - Chrome	82 444 970-00
--	--	---------------

33 870 888 Product version from 2/1/2023 to 10/30/2024

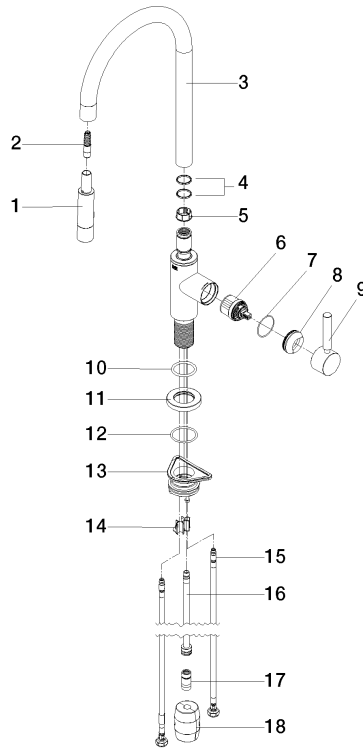


Codes & Standards

ADA	ASME A112.18.1	California Energy Commission (CEC)	cUPC
NSF372	NSF61		

Certificates and sustainability

IAPMO_6397 IAPMO_N-4976 IAPMO_4976 (



Spare parts list

Number	Item Number	Designation	Number of units	Lead time
	5 09 18 40 186 90	sleeve	1.00	2
	4 09 28 10 160 90	ring	2.00	2
	2 04 30 02 120 00-00	hose	1.00	10
	3 90 28 22 304 00-00	spout	1.00	10
	16 04 28 20 067 00 90	pipe	1.00	2
	18 04 21 50 010 00 90	accessories	1.00	2
	17 90 24 03 253 01 90	adaptor	1.00	2
	9 90 20 66 027 00-00	handle	1.00	10
	1 90 12 11 148 00-00	shower	1.00	10
	8 09 28 30 030-00	cover	1.00	10
	14 09 20 93 056 90	insert	1.00	2
	11 90 27 22 047 00-00	rosette	1.00	10
	7 09 14 10 190 90	seal	1.00	2
	12 09 14 10 050 90	seal	1.00	2
	13 04 30 11 040 00 90	fixing set	1.00	2
	15 04 30 04 103 00 90	hose	2.00	2
	10 09 14 10 036 90	seal	1.00	2
	6 90 15 05 064 05 90	cartridge	1.00	2