

META SQUARE Single-lever mixer pull-down with spray function - Dark Chrome

META SQUARE

33 870 861 Product version from 2/1/2023 to 10/30/2024



- 9-1/2" Projection
- Swiveling spout 360°
- Optional restricted swivel available with swivel limiter set 12 823 970 90
- Laminar and spray function
- Total height 15-1/4"
- 7-1/4" height to aerator/spout outlet
- 1-3/8" hole diameter
- 2 x pressure hose with 3/8" compression fitting
- 59" metal shower hose
- Sprayface with descaling system
- Water flow rate limited to max. 1.5 gpm
- lead-free
- Spray types can be changed while the water is running
- This product can help a building meet the requirements of Green Building Rating Systems, e.g. LEED®, BREEAM®, DGNB

(ADA)

Internal backflow preventer.

Push button locks into spray mode when pressed. To switch back to laminar flow the water must be turned off.

	Dark Chrome	33 870 861-19 0010
	Chrome	33 870 861-00 0010
	Brushed Platinum	33 870 861-06 0010
	Platinum	33 870 861-08 0010
	Durabronze (23kt Gold)	33 870 861-09 0010
	Brushed Durabronze (23kt Gold)	33 870 861-28 0010
	Matte Black	33 870 861-33 0010
	Brushed Bronze	33 870 861-42 0010
	Brushed Champagne (22kt Gold)	33 870 861-46 0010
	Champagne (22kt Gold)	33 870 861-47 0010
	Brushed Chrome	33 870 861-93 0010
	Brushed Dark Platinum	33 870 861-99 0010

Recommended article

	Swivel limiter set -	12 823 970 90
--	-----------------------------	---------------

Recommended article

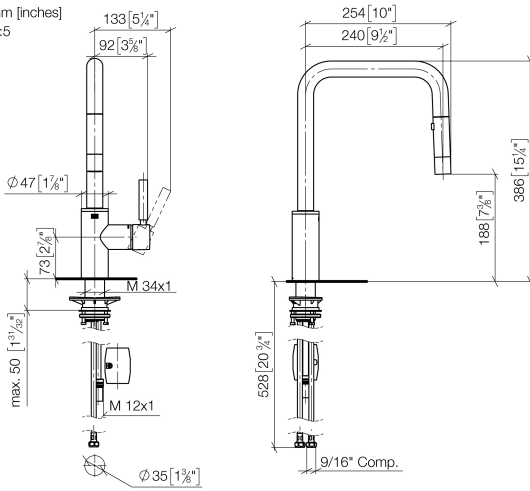
	Soap dispenser without flange - Dark Chrome	82 424 970-19
--	--	---------------

Recommended article

	AIR SWITCH operating button, trim parts only - Dark Chrome	10 713 970-19
--	---	---------------

33 870 861 Product version from 2/1/2023 to 10/30/2024

mm [inches]
1:5



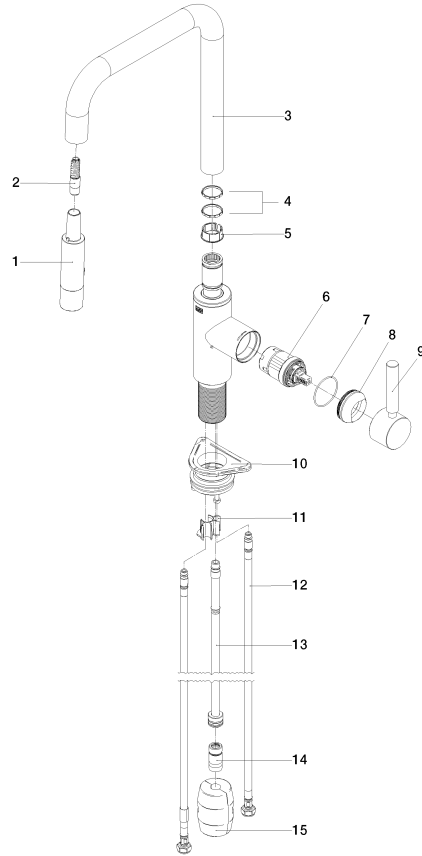
Codes & Standards

ADA	ASME A112.18.1	California Energy Commission (CEC)	cUPC
NSF372	NSF61		

Certificates and sustainability

IAPMO_6397 IAPMO_N-4976 IAPMO_4976 (

33 870 861 Product version from 2/1/2023 to 10/30/2024



Spare parts list

Number	Item Number	Designation	Number of units	Lead time
	6 90 15 05 064 05 90	cartridge	1.00	2
	7 09 14 10 190 90	seal	1.00	2
	12 04 30 04 103 00 90	hose	2.00	2
	2 04 30 02 120 00-85	hose	1.00	10
	10 04 30 11 040 00 90	fixing set	1.00	2
	3 90 28 22 308 00-19	spout	1.00	20
	1 90 12 11 148 00-19	shower	1.00	60
	9 90 20 66 027 00-19	handle	1.00	20
	4 09 28 10 160 90	ring	2.00	2
	14 90 24 03 253 01 90	adaptor	1.00	2
	13 04 28 20 067 00 90	pipe	1.00	2
	11 09 20 93 056 90	insert	1.00	2
	5 09 18 40 186 90	sleeve	1.00	2
	8 09 28 30 030-19	cover	1.00	60
	15 04 21 50 010 00 90	accessories	1.00	2