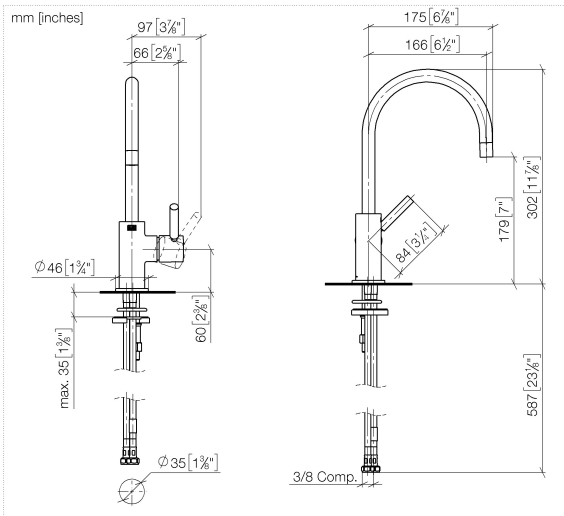


33 805 888



Codes & Standards

ADA	ASME A112.18.1	California Energy Commission (CEC)	cUPC
NSF372	NSF61		

Certificates and sustainability

IAPMO\_6397      IAPMO\_N-4976      IAPMO\_4976 (