

33 502 660 Product version up to 1/23/2020

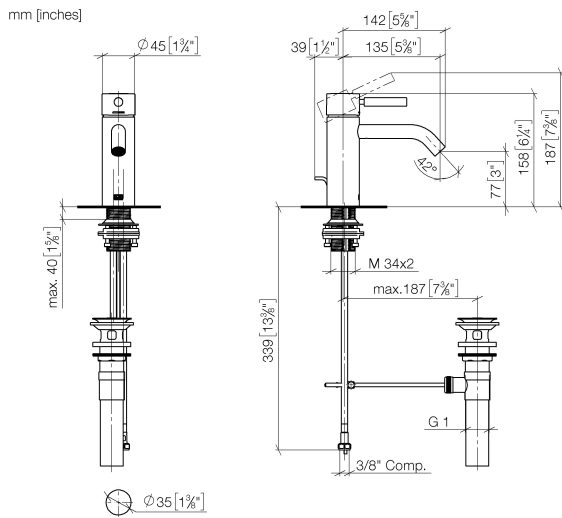


- 135mm projection
- 1 1/4" pop-up waste
- fixed spout
- circular, air-enriched flow
- height of mixer 158 mm
- height up to aerator 77 mm
- hole diameter 35 mm
- 2 x pressure hose with 3/8" cap nut
- max. flow 4.5 l/min
- lead-free
- This product can help a building meet the requirements of Green Building Rating Systems, e.g. LEED®, BREEAM®, DGNB

Only suitable for basins with an overflow.

	Chrome	33 502 660-00 0010
	Brushed Platinum	33 502 660-06 0010
	Dark Chrome	33 502 660-19 0010
	Light Gold (PVD)	33 502 660-26 0010
	Brushed Light Gold (PVD)	33 502 660-27 0010
	Matte Black	33 502 660-33 0010
	Brushed Gold (PVD)	33 502 660-37 0010
	Brushed Dark Brass (PVD)	33 502 660-39 0010
	Brushed Bronze (PVD)	33 502 660-42 0010
	Brushed Dark Bronze (PVD)	33 502 660-43 0010
	Brushed Chrome	33 502 660-93 0010
	Brushed Dark Platinum	33 502 660-99 0010

33 502 660 Product version up to 1/23/2020



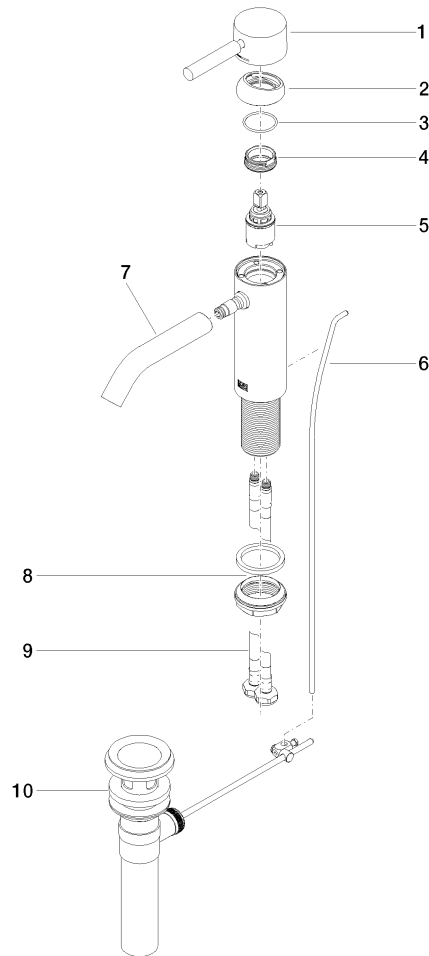
Codes & Standards

ADA	ASME A112.18.1	California Energy Commission (CEC)	cUPC
EPA WaterSense	NSF372	NSF61	WaterSense



Certificates and sustainability

IAPMO_N-4976	IAPMO_6397	IAPMO_8834	IAPMO_4976 (EPD-DOR-20230287 -IBA1-EN Environmental product-declarat
--------------	------------	------------	--------------	--



Spare parts list

No.	Item Number	Name	Quantity used	Delivery time
	2 09 28 30 041-00	Cover Ø 50 x 76,8 mm - Chrome	1.00	10
	8 04 23 10 044 07 90	Attachment set with seals M34 x 1 -	1.00	2
	6 09 31 09 110-00	Pull rod for pop-up waste Ø 4 x 384 mm - Chrome	1.00	10
	5 90 15 05 044 00 90	Cartridge Ø 25 x 51 mm -	1.00	2
	7 90 11 06 207 01-00	Spout 90 x 145 x 35 mm, 4,54 l/min. - Chrome	1.00	10
	1 90 20 66 002 00-00	Handle for washstand deck mounting Lever 52 x 35 x 117 mm - Chrome	1.00	10
	3 09 14 10 091 90	O-Ring NBR 70 26,5 x 1,72 mm -	1.00	2
	4 09 24 04 266 90	Mounting Ø 28 x 10,8 mm -	1.00	2
	10 90 11 01 023 00-00	Basin Waste 1" for basin / bidet - Chrome	1.00	10
	9 04 30 04 102 00 90	High pressure hose 3/8" -	2.00	2