

**Metropol**

**Widespread Faucet 110 with Lever Handles and Pop-Up Drain, 1.2 GPM**

Finish: **chrome** Part no. : **32516001**



**Description**

**Features**

- Consists of: 3-hole basin mixer
- Handle variant: Lever
- Spray modes: normal spray
- Flow: 1.2 GPM (4.5 L/Min)
- Ceramic valves hot/cold 90°
- Includes pop-up drain
- EPD Basin Faucets

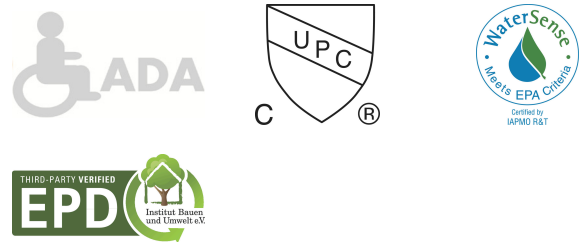
**Item details**

List Price \$ 844.00

**Technology**



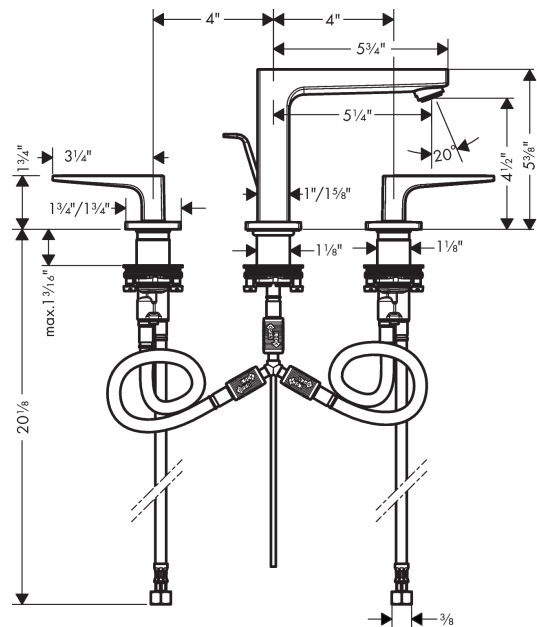
**Compliance / Sustainability**



**Product image**



**Scale drawing**

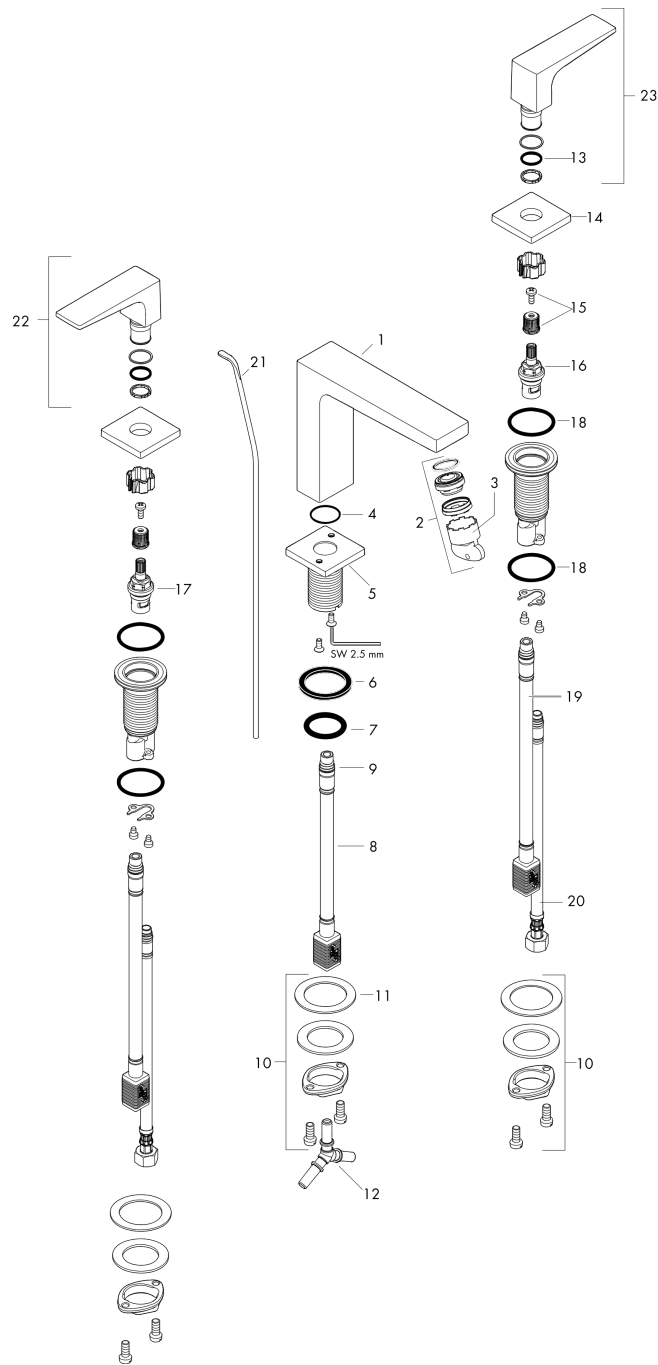


**Metropol**  
**Widespread Faucet 110 with Lever Handles and Pop-Up Drain, 1.2 GPM**  
 Finish: **chrome** Part no. : **32516001**



**Exploded drawing**

Year of production: >01/18



## Metropol

**Widespread Faucet 110 with Lever Handles and Pop-Up Drain, 1.2 GPM**

Finish: **chrome** Part no. : **32516001**



### Spare parts list

Year of production: >01/18

Pos.	Description	Part no.	Price	PU
1	spout 110 mm	93021000	-	1
2	aerator M24x1 (4,5 l/min)	93202000	-	1
3	service tool	95661000	-	1
4	O-ring 21x1,5	98219000	-	1
5	escutcheon for spout	92906000	-	1
6	flat seal	98749000	-	1
7	O-ring 26x4	92191000	-	1
8	null	92913000	-	1
9	O-ring 8x1,75	97827000	-	1
10	null	92909000	-	1
11	lever collar	97548000	-	1
12	hose connection angel	92905000	-	1
13	O-Ring 14x1,5	98201000	-	1
14	escutcheon	92915000	-	1
15	handle fixing set	98932000	-	1
16	shut off unit left closing	95366001	-	1
17	shut off unit right closing	98817001	-	1
18	null	92907000	-	1
19	null	92914000	-	1
20	connection hose 18½" M8x0,75 3/8"	96321001	-	1
21	pull rod	96657000	-	1
22	handle for hot water	92916000	-	1
23	handle for cold water	92917000	-	1
a	pop up waste	88509000	-	1