

Metris
Single-Hole Faucet 110, 1.0 GPM
 Finish: **chrome** Part no. : **31204001**



Description

Features

- Handle variant: Lever
- Spray modes: normal spray
- Flow: 1 gal/min
- Ceramic cartridge
- Does not include: Pop-up assembly
- EPD Basin Faucets

Item details

List Price \$ 396.00

Technology



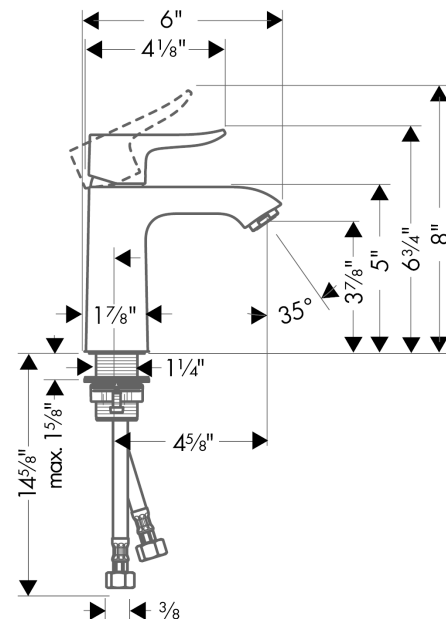
Compliance / Sustainability



Product image



Scale drawing

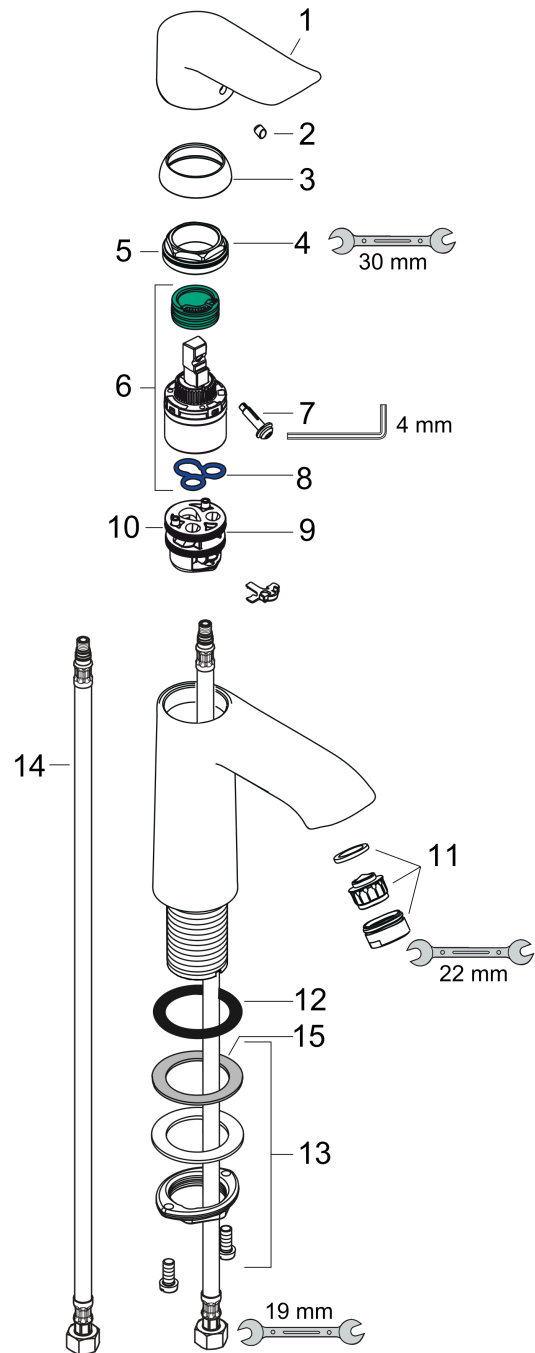


Metris
Single-Hole Faucet 110, 1.0 GPM
 Finish: **chrome** Part no. : **31204001**



Exploded drawing

Year of production: >07/16



Metris**Single-Hole Faucet 110, 1.0 GPM**Finish: **chrome** Part no. : **31204001****Spare parts list**

Year of production: >07/16

Pos.	Description	Part no.	Price	PU
1	handle	95519000	-	1
2	screw cover	96338000	-	1
3	flange	97406000	-	1
4	nut	97209000	-	1
5	O-Ring 32x2	98193000	-	1
6	cartridge, assy	95646001	-	1
7	locking screw for handle	95140000	-	1
8	seal	95008000	-	1
9	adapter for cartridge	98750000	-	1
10	O-Ring 30x2	98186000	-	1
11	aerator M24x1	98453000	-	1
12	flat seal	98749000	-	1
13	fixing set (Ø 32)	13961000	-	1
14	connection hose 18½" M8x0,75 3/8"	96321001	-	1
15	lever collar	97548000	-	1