

Metris
Single-Hole Faucet 200 with Pop-Up Drain, 1.2 GPM
 Finish: **chrome** Part no. : **31183001**



Description

Features

- Handle variant: Lever
- Spray modes: normal spray
- Flow: 1.2 GPM (4.5 L/Min)
- Ceramic cartridge
- Includes pop-up drain

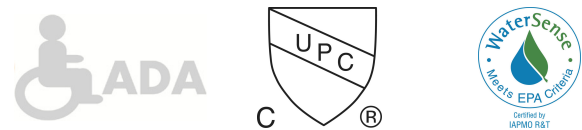
Item details

List Price \$ 592.00

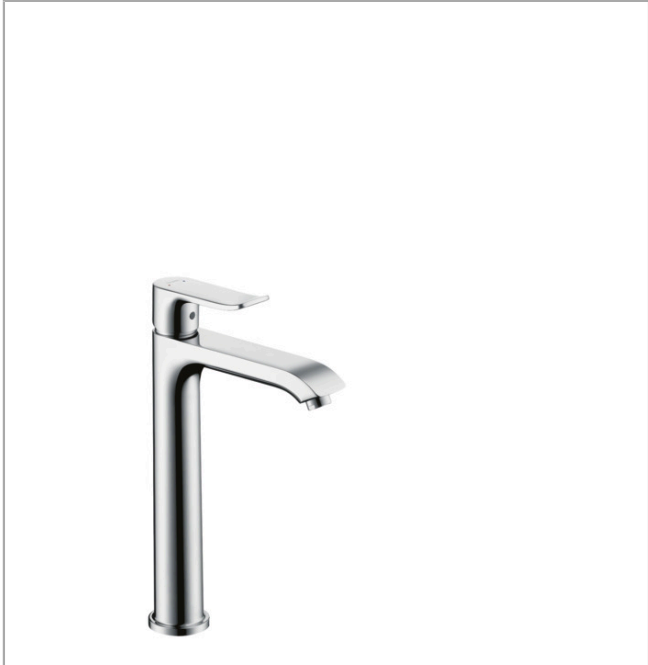
Technology



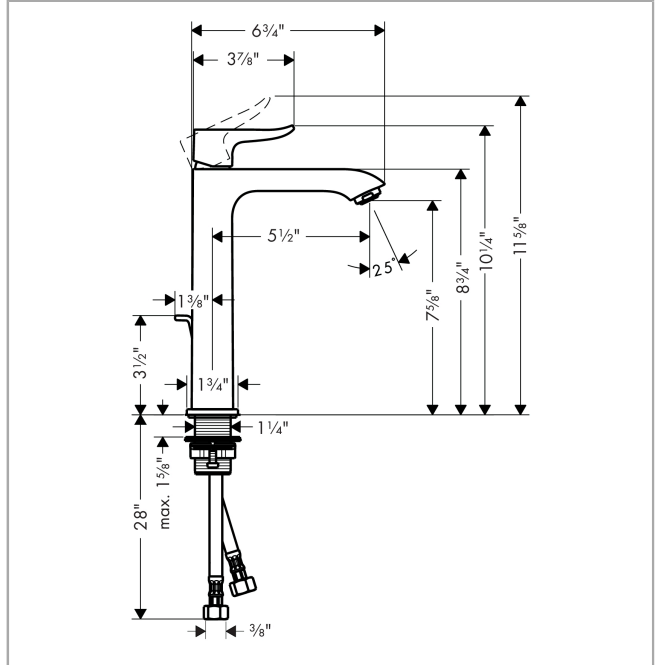
Compliance / Sustainability



Product image



Scale drawing

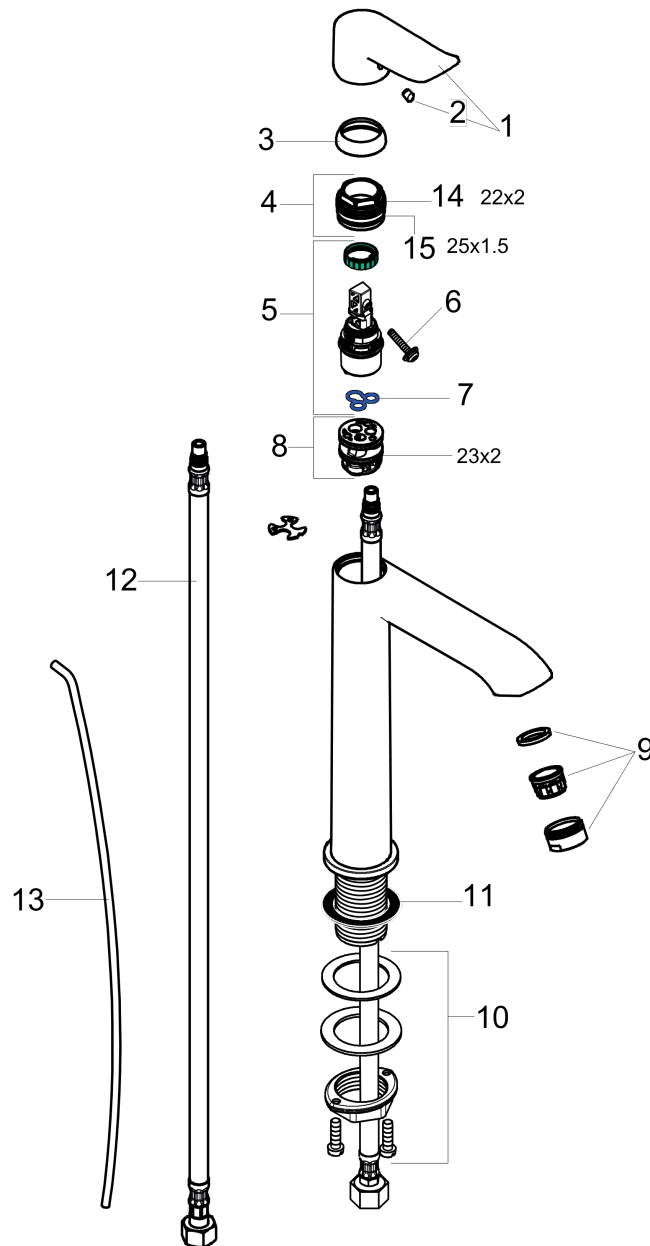


Metris
Single-Hole Faucet 200 with Pop-Up Drain, 1.2 GPM
 Finish: **chrome** Part no. : **31183001**



Exploded drawing

Year of production: >07/16



Metris

Single-Hole Faucet 200 with Pop-Up Drain, 1.2 GPM

Finish: **chrome** Part no. : **31183001**



Spare parts list

Year of production: >07/16

Pos.	Description	Part no.	Price	PU
1	handle	95520000	-	1
2	screw cover	96338000	-	1
3	flange	98863000	-	1
4	nut	98864000	-	1
5	cartridge, assy	95973001	-	1
6	locking screw for handle	95140000	-	1
7	seal	98865000	-	1
8	adapter for cartridge	98866000	-	1
9	aerator M24x1 (4,5 l/min)	92877000	-	1
10	fixing set (Ø 32)	13961000	-	1
11	flat seal	98749000	-	1
12	connection hose 35½" M8x0,75 3/8"	96316001	-	1
13	pull rod	96657000	-	1
14	O-Ring 22x2	98185000	-	1
15	O-ring 25x1,5	98146000	-	1
a	pop up waste	88509000	-	1
b	lever arm 340mm (ball-Ø12mm)	96324000	-	1