

Metris S
Wall-Mounted Single-Handle Faucet Trim, 1.2 GPM
 Finish: **chrome** Part no. : **31163001**



Description

Features

- Handle variant: Lever
- Spray modes: normal spray
- Flow: 1.2 GPM (4.5 L/Min)
- Ceramic cartridge
- EPD Basin Faucets

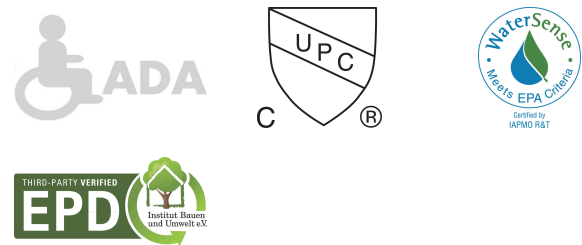
Item details

List Price \$ 481.00

Technology



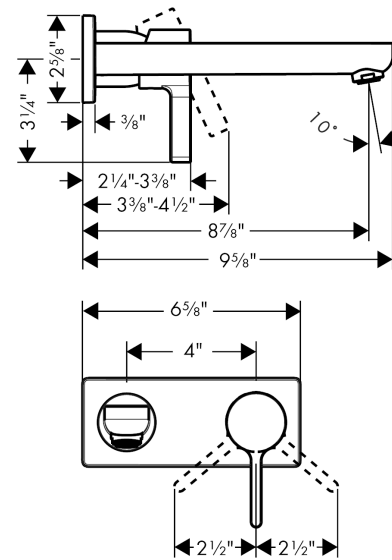
Compliance / Sustainability



Product image



Scale drawing

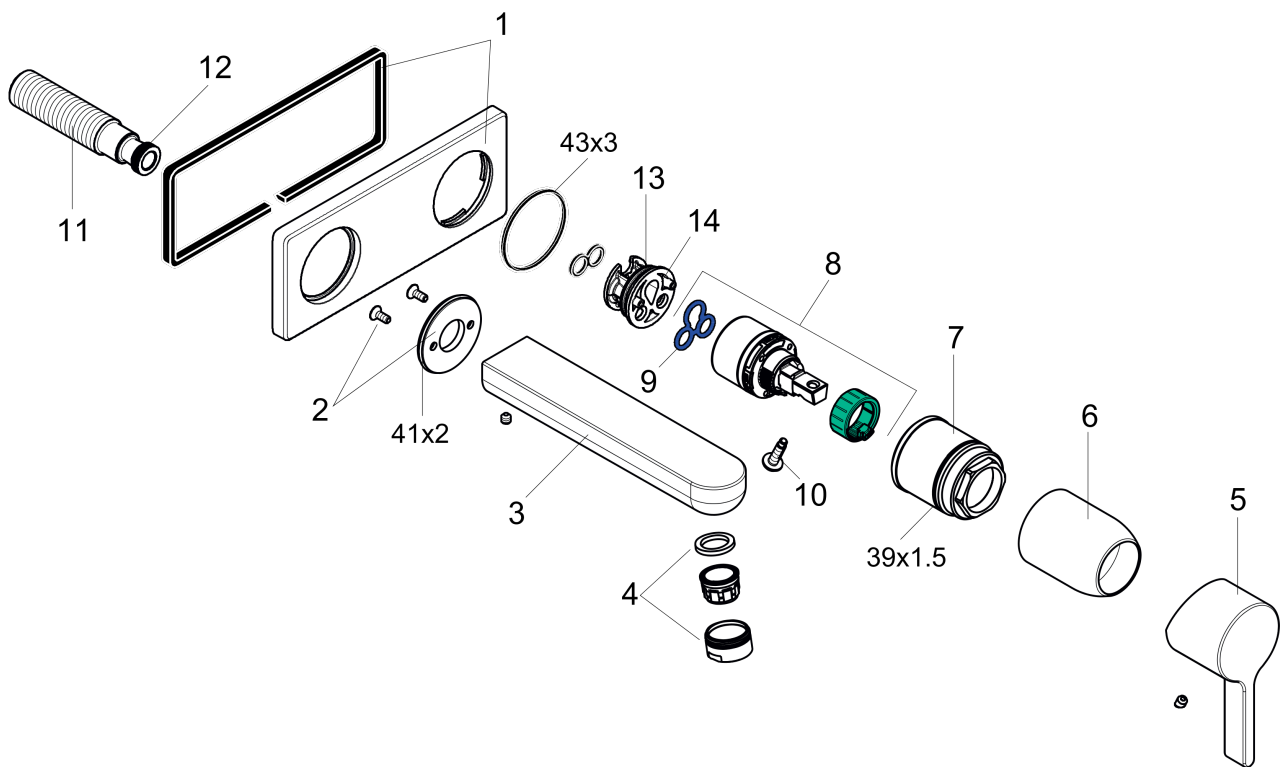


Metris S
Wall-Mounted Single-Handle Faucet Trim, 1.2 GPM
 Finish: **chrome** Part no. : **31163001**



Exploded drawing

Year of production: >07/16



Metris S**Wall-Mounted Single-Handle Faucet Trim, 1.2 GPM**Finish: **chrome** Part no. : **31163001****Spare parts list**

Year of production: >07/16

Pos.	Description	Part no.	Price	PU
1	escutcheon	95641000	-	1
2	escutcheon	95642000	-	1
3	spout 220 mm	95640000	-	1
4	aerator M24x1 (4,5 l/min)	92877000	-	1
5	handle	31093000	-	1
6	sleeve	98790000	-	1
7	nut	95622000	-	1
8	cartridge, assy	95646001	-	1
9	seal	95008000	-	1
10	locking screw for handle	95140000	-	1
11	connecting thread G½	95626000	-	1
12	O-ring 13x2	98128000	-	1
13	O-ring 26x2	98147000	-	1
14	adapter for cartridge	95779000	-	1
a	extension set 25 mm for 13622180	31971000	-	1
b	base body	13622181	-	1
c	O-ring 39x1,5	98400000	-	1
d	O-ring 43x3	98418000	-	1
e	O-ring 41x2	98212000	-	1