

Metris
Single-Hole Faucet 110 with Pop-Up Drain, 0.5 GPM
 Finish: **chrome** Part no. : **31123001**



Description

Features

- Handle variant: Lever
- Spray modes: normal spray
- Flow: 0.5 GPM (1.9 L/Min)
- Ceramic cartridge
- Includes pop-up drain

Item details

List Price \$ 462.00

Technology



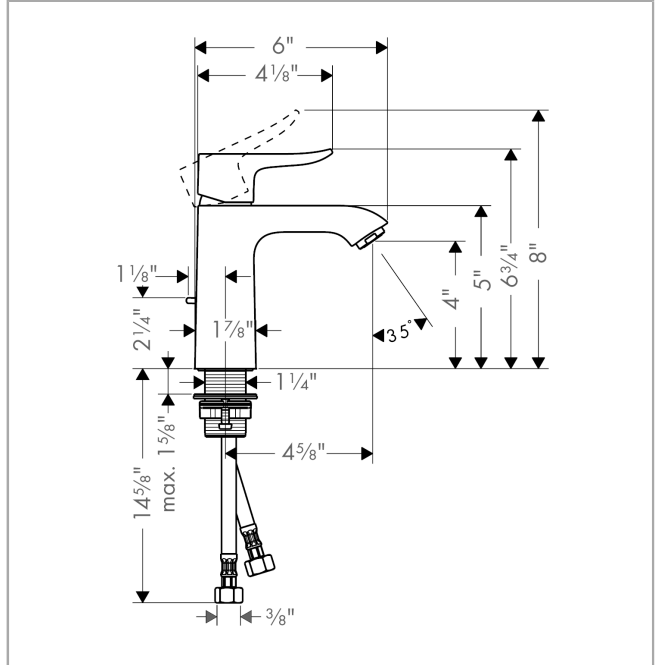
Compliance / Sustainability



Product image



Scale drawing

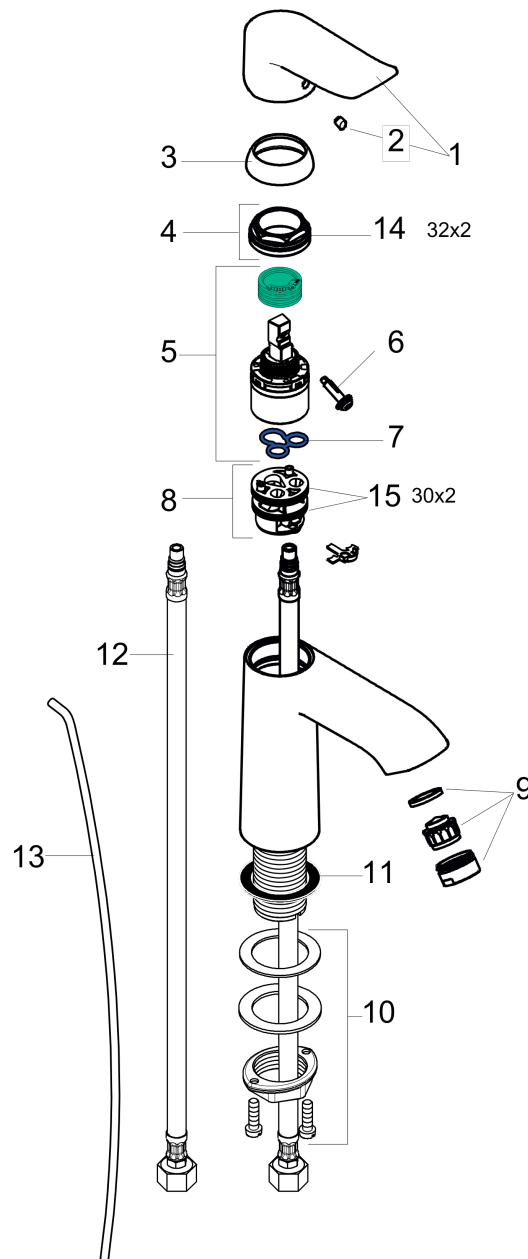


Metris
Single-Hole Faucet 110 with Pop-Up Drain, 0.5 GPM
 Finish: **chrome** Part no. : **31123001**



Exploded drawing

Year of production: >01/20



Metris**Single-Hole Faucet 110 with Pop-Up Drain, 0.5 GPM**Finish: **chrome** Part no. : **31123001****Spare parts list**

Year of production: >01/20

Pos.	Description	Part no.	Price	PU
1	handle	95519000	-	1
2	screw cover	96338000	-	1
3	flange	97406000	-	1
4	nut	97209000	-	1
5	cartridge, assy	95646001	-	1
6	locking screw for handle	95140000	-	1
7	seal	95008000	-	1
8	adapter for cartridge	98750000	-	1
9	aerator M24x1 (1,9 l/min)	93502000	-	1
10	fixing set (Ø 32)	13961000	-	1
11	flat seal	98749000	-	1
12	connection hose 18½" M8x0,75 3/8"	96321001	-	1
13	pull rod	96657000	-	1
14	O-Ring 32x2	98193000	-	1
15	O-Ring 30x2	98186000	-	1
a	pop up waste	88509000	-	1
b	lever collar	97548000	-	1
c	O-ring 35x2	92604000	-	1
d	lever arm 340mm (ball-Ø12mm)	96324000	-	1