

Metris C
Single-Hole Faucet 100, 1.2 GPM
 Finish: **chrome** Part no. : **31077001**



Description

Features

- Handle variant: Lever
- Spray modes: normal spray
- Flow: 1.2 GPM (4.5 L/Min)
- Ceramic cartridge
- Does not include: Pop-up assembly

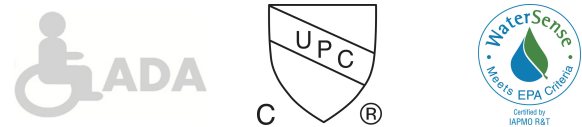
Item details

List Price \$ 397.00

Technology



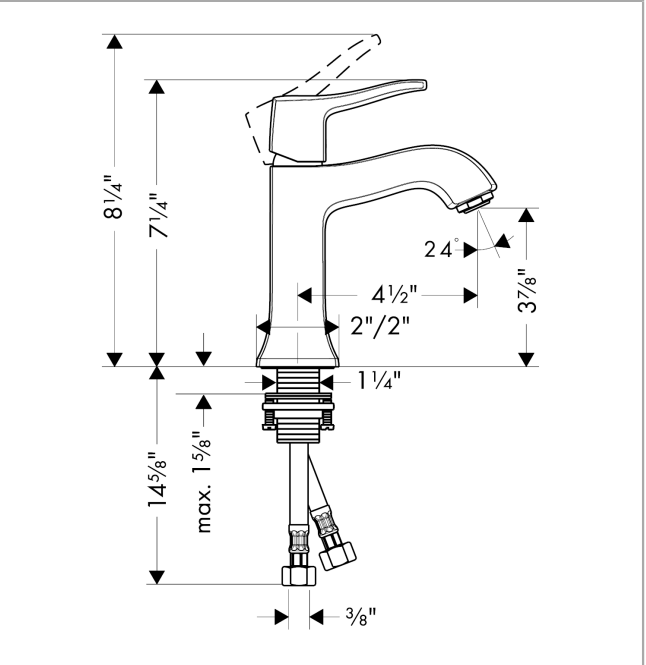
Compliance / Sustainability



Product image



Scale drawing

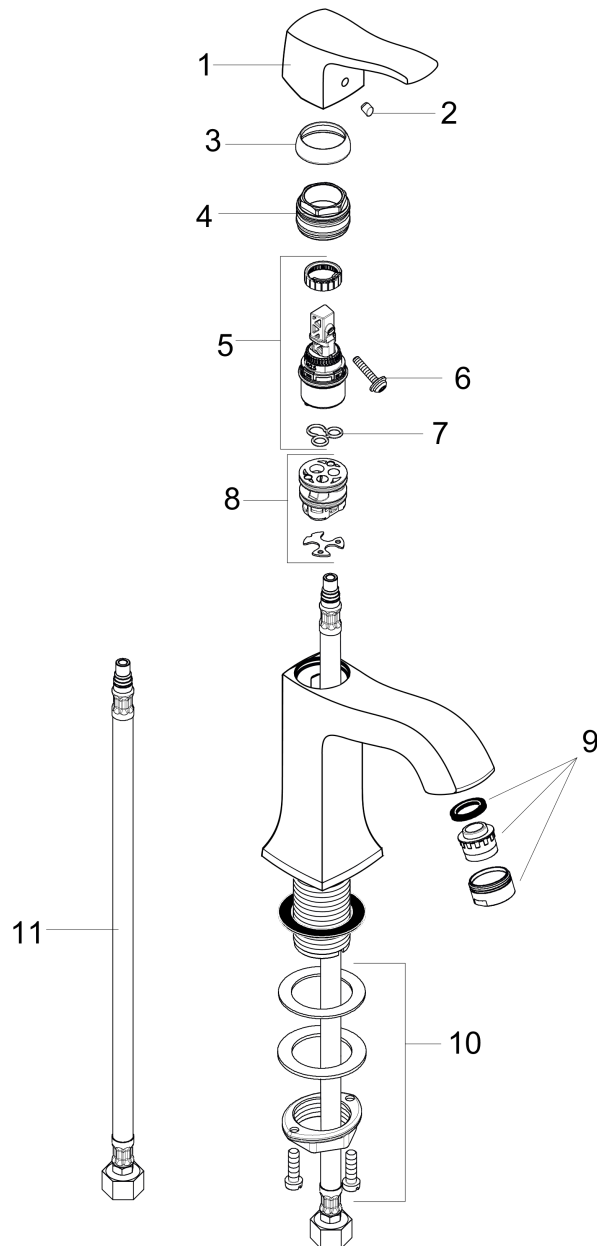


Metris C
Single-Hole Faucet 100, 1.2 GPM
 Finish: **chrome** Part no. : **31077001**



Exploded drawing

Year of production: >07/16



Metris C
Single-Hole Faucet 100, 1.2 GPM
 Finish: **chrome** Part no. : **31077001**



Spare parts list

Year of production: >07/16

| Pos. | Description | Part no. | Price | PU |
|------|-----------------------------------|----------|-------|----|
| 1 | handle | 31291000 | - | 1 |
| 2 | screw cover | 96338000 | - | 1 |
| 3 | flange | 98863000 | - | 1 |
| 4 | nut | 98864000 | - | 1 |
| 5 | cartridge, assy | 95973001 | - | 1 |
| 6 | locking screw for handle | 95140000 | - | 1 |
| 7 | seal | 98865000 | - | 1 |
| 8 | adapter for cartridge | 98866000 | - | 1 |
| 9 | aerator M24x1 (4,5 l/min) | 92877000 | - | 1 |
| 10 | fixing set (Ø 32) | 13961000 | - | 1 |
| 11 | connection hose 18½" M8x0,75 3/8" | 96321001 | - | 1 |