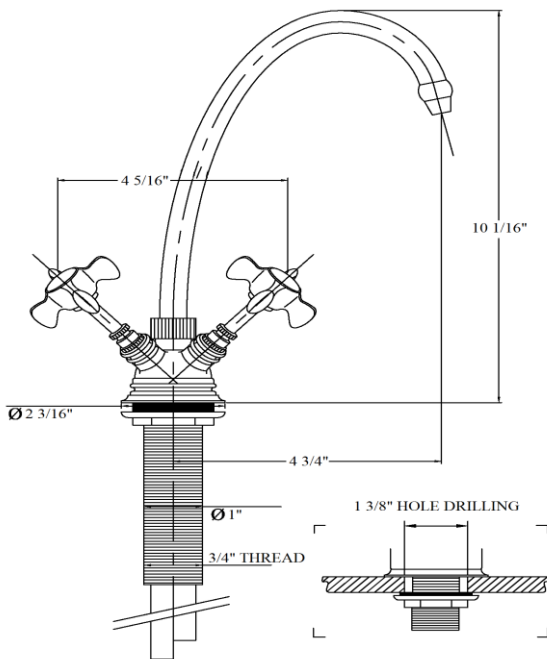


# 3050 – ‘Royale Verseuse’ Deck Mounted Mixer



## Technical Information

- NSF / ANSI 61 & 372 / ASME A112.18.1 / CSA B125.1 / CEC AB1953 / WATERSENSE Certified.
- Maximum Flow Rate is 1.2 GPM with Low Flow Restrictor.
- 1 1/8" Hole Drilling.
- 3/8" Tube Connections.
- Cross Handles.
- 1/4 Turn Ceramic Flüh's Cartridges.
- Available Finishes are French Weathered Brass(47), Polished Chrome(48), SoliBrass(49), Lacquered Matte Black Nickel(50), Old Gold(52), Old Silver(53), Polished Brass(55), Polished Nickel(56), Brushed Nickel(57), Satin Nickel(60), Antique Lacquered Copper(67), Antique Lacquered Brass(68), Weathered Brass(70), Lacquered Polished Black Nickel(71) and Lacquered Polished Copper(80).
- Please See Cleaning Instructions: <http://herbeau.com/CleaningAll.pdf> For Finish Care and Maintenance Information.

Part #	Description
01	Royale Verseuse Spout
02	Brass Handle Screw
03	Cross Handle
04	Cartridge Cover
05	Cross Handle Stem
06	1/4 Turn Ceramic Cartridge
07	Locking Collar
08	Washer
09	Verseuse Deck Mount Body
10	Threaded Stem
11	Escutcheon
12	Metal Ring & Rubber Washer
13	Aerator Cap
14	Hex Nut
15	Flow Restrictor
16	Aerator
17	Rubber O-Ring
18	Nylon Clip
19	Rubber O-Ring
20	Herbeau Ceramic Insert



C US

U.P. Code  
NSF-61/9-G  
ASME A112.18.1/CSA B125.1



Certified by  
NSF International

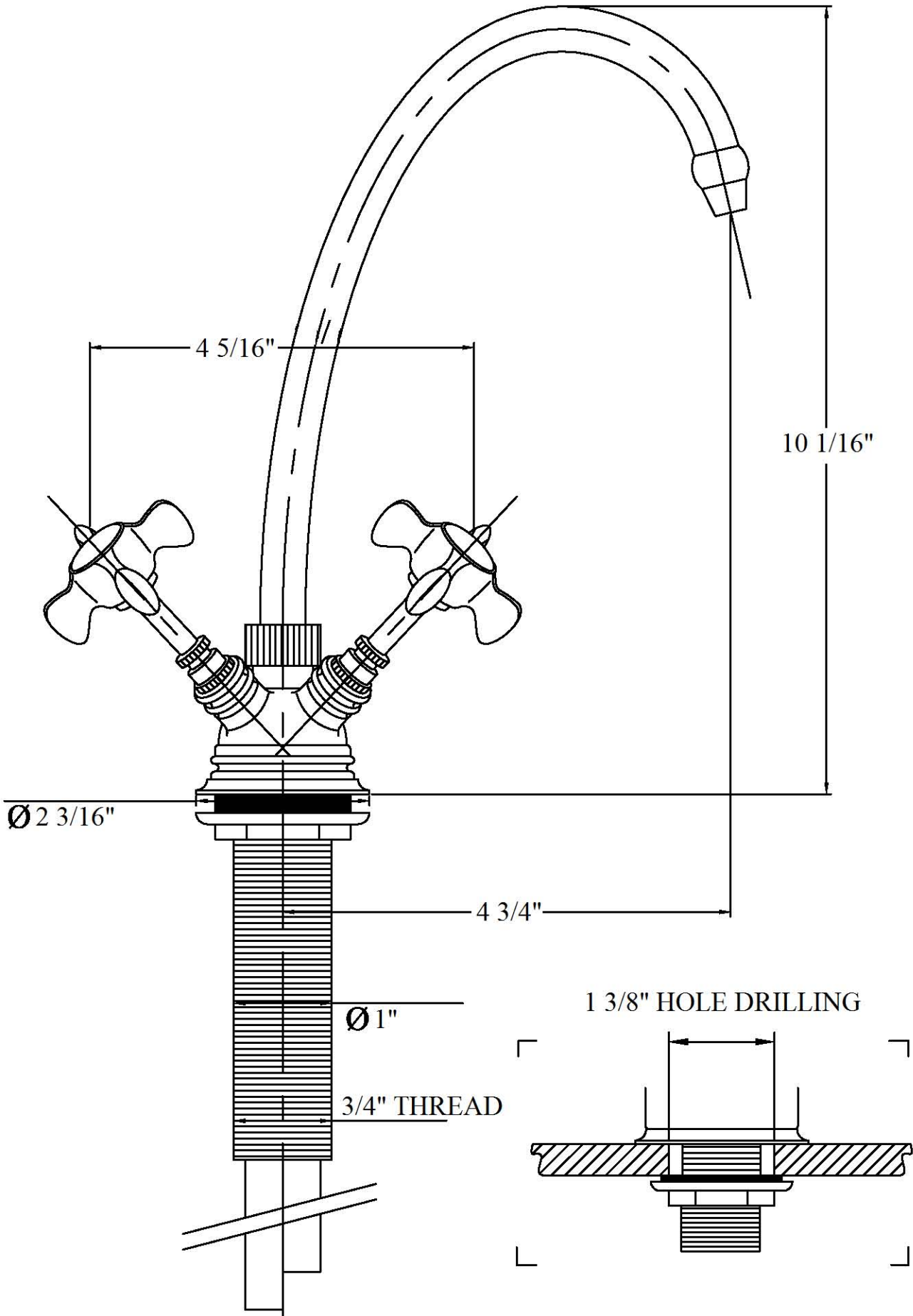
Please follow example when ordering parts for 'Verseuse' Mixer

- To order part#03 – Cross Handle
  - 950137xx
- Please substitute finish number needed in place of xx



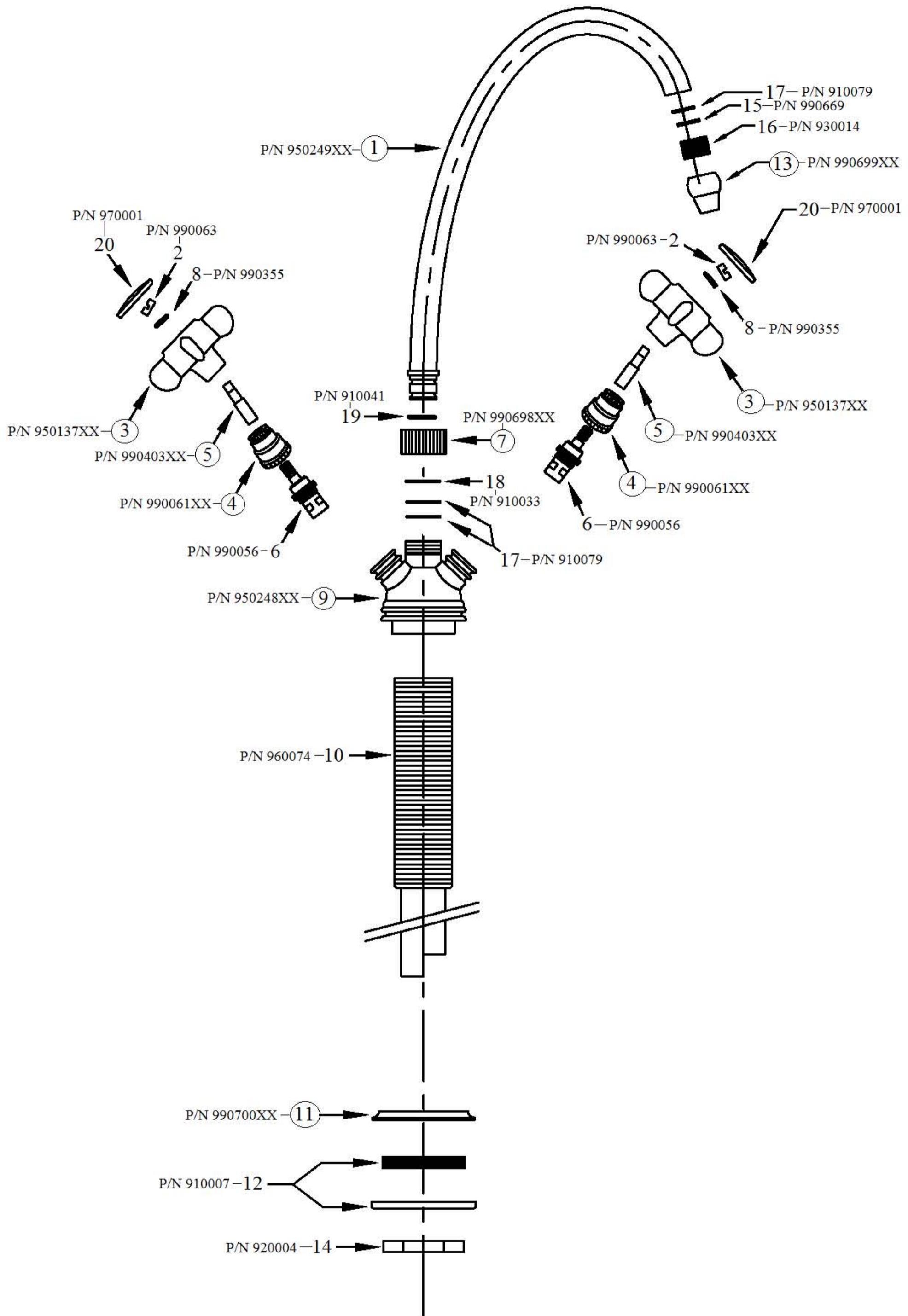
Herbeau®  
L'Art du Sanitaire depuis 1857

# 3050 - 'Royale Verseuse' Deck Mounted Mixer



# 3050 - 'Royale Verseuse' Deck Mounted Mixer

\*P/N = PART NUMBER



○ = FINISHED PARTS

XX = TWO DIGIT FINISH CODE