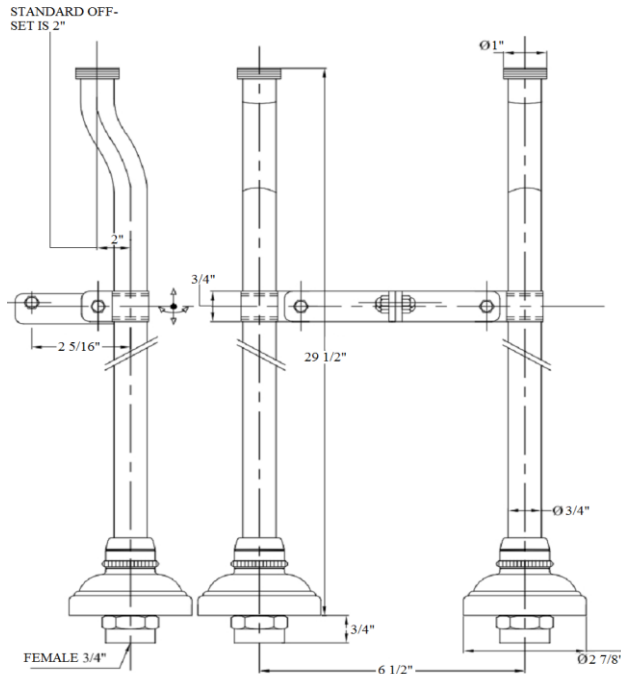


3032 – ‘Royale’ Free Standing Adduction Pipes



Part #	Description
01	Brass Adduction Pipe
02	Finished Brass Nut
03	Bracket
04	Escutcheon
05	Adapters And Compression Kit (Sold In Eaches)
06	T-Bracket Tongue
07	Compression Ring
08	3/4" Washer
09	Rubber O-Ring
10	T-Bracket Assembly
11	Finished Nut
12	Finished Threaded Stem

Technical Information

- 3/4" female floor connection.
- Standard off-set is 2". Can be custom ordered with min. 1" to max. 4" offset.
- Includes t-bracket to stabilize adduction.
- Herbeau prefers this item to be ordered together with item #3030.
- Available finishes are French Weathered Brass (47), Polished Chrome (48), SoliBrass (49), Lacquered Matte Black Nickel (50), Old Gold (52), Old Silver (53), Polished Brass (55), Polished Nickel (56), Brushed Nickel (57), Satin Nickel (60), Antique Lacquered Copper (67), Antique Lacquered Brass (68), Weathered Brass (70), Lacquered Polished Black Nickel (71) and Lacquered Polished Copper (80).
- Please See Cleaning Instructions: <http://herbeau.com/CleaningAll.pdf> For Finish Care and Maintenance Information.

Please follow example when ordering parts for ‘Royale’ Adduction Pipes

- To order part#11 – Finished Nut
 - 920033xx
- Please substitute finish number needed in place of **XX**



Herbeau[®]
L'Art du Sanitaire depuis 1857

3032 - 'Royale' Free Standing Adduction Pipes

STANDARD OFF-
SET IS 2"

