



California Faucets®

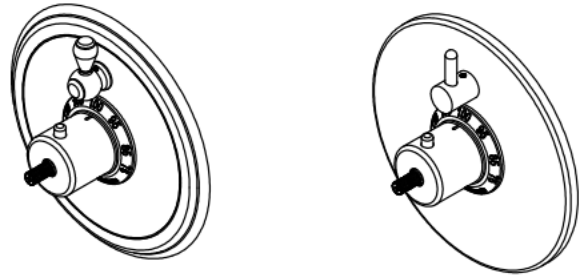
1/2" Thermostatic Valve w/ Single Volume Control Trim Only

StyleTherm®

**Features**

- Over 30 finishes including 12 PVD finishes
  - All brass construction
  - Contemporary or traditional faceplate
  - Engraved brass temperature ring
  - 100°F safety stop button with manual override
  - Contemporary or traditional volume control handle
  - Handles to match all California Faucets series
- See [www.calfaucets.com](http://www.calfaucets.com) for complete selection

**TO-TH1L-XX**



**Codes/Standards Applicable**

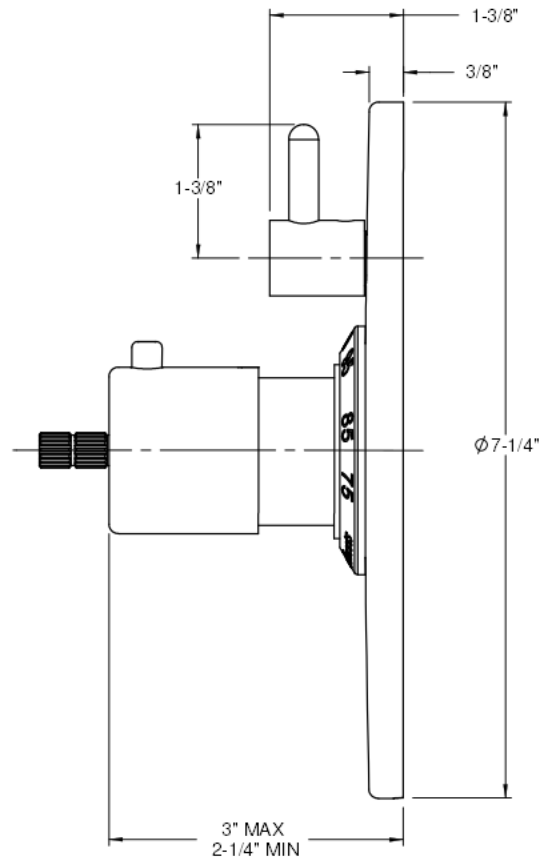
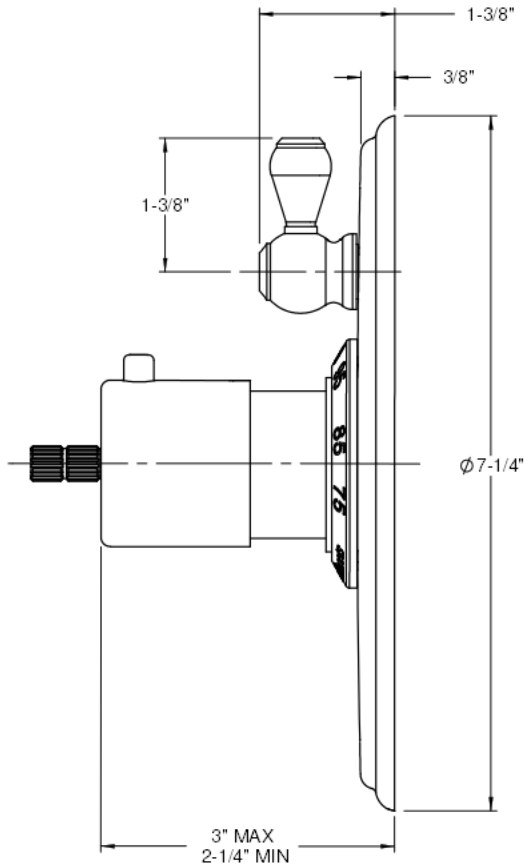
Specified model meets or exceeds the following:

- ASME A112.18.1-2005/CSA B125.1-05
- ASSE 1016
- ADA (with lever handles)
- Listed IAPMO/UPC®

**XX = Series Handle**

**Traditional Faceplate**

**Contemporary Faceplate**



ALL DIMENSIONS SHOWN TO NEAREST 1/16"