



Features

- 25+ artisan finishes including 12 PVD finishes
- All brass construction
- Spout has easy Quick Connect fitting
- 16.0 gpm (60.6 L/min) max flow rate
- Comes as complete set with trim and valves

- 3008
- 3008K
- 3008F
- 3008T
- 3008X
- 3008XK
- 3008XF
- 3008XT

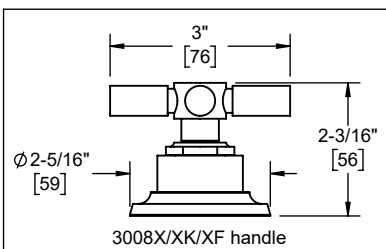
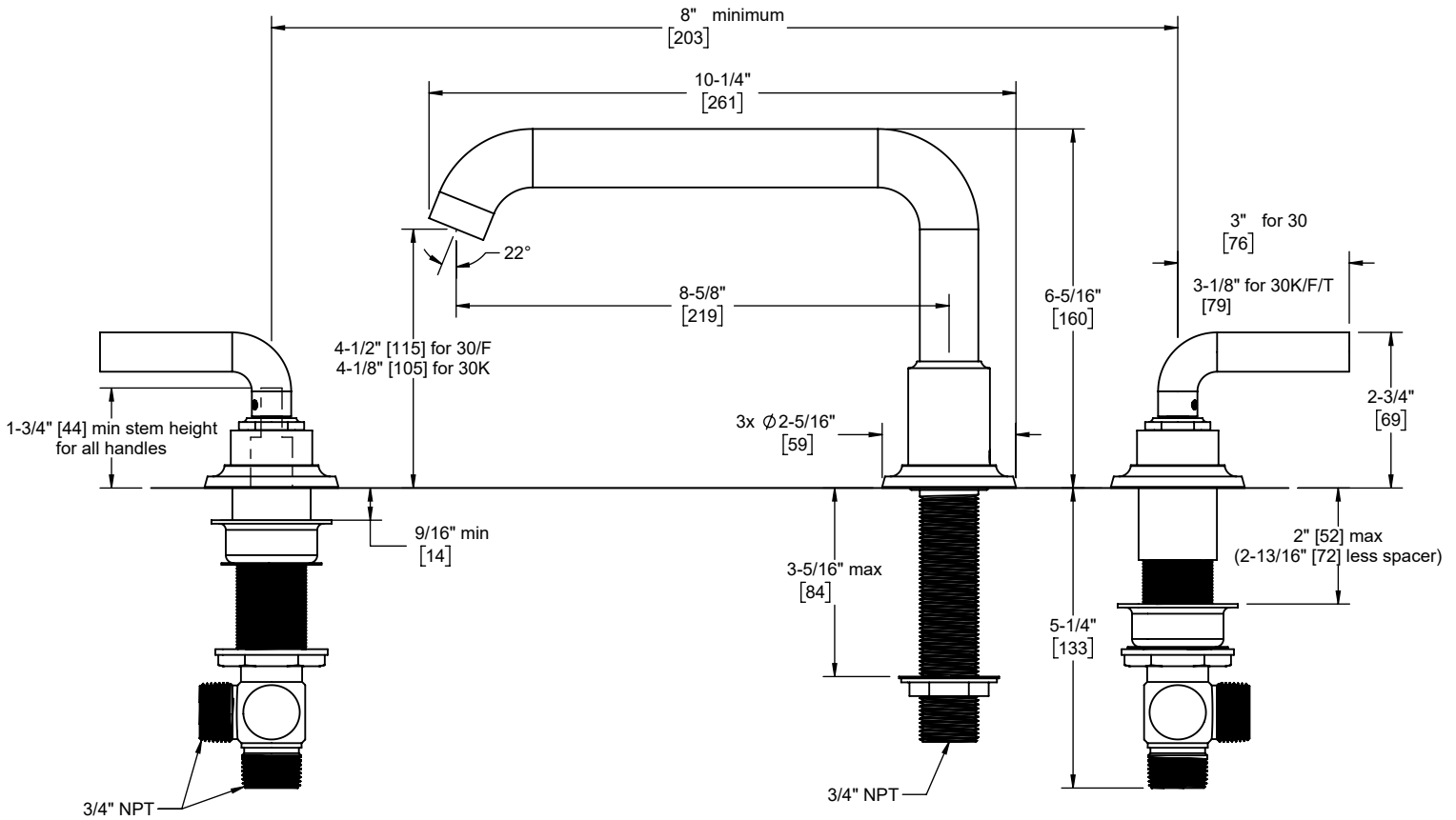


3008-ZZ shown

Codes/Standards Applicable

Product meets or exceeds the following:

- ASME A112.18.1/CSA B125.1
- ADA compliant (lever handles only)
- Installation of upstream tempering device may be required (verify local codes)



Specifications subject to change without notice

Through-Hole Specifications			
	Min	Recommended	Max
Spout:	Ø 1" [25]	Ø 1-3/8" [35]	Ø 1-5/8" [41]
Valve:	Ø 1-1/4" [32]	Ø 1-3/8" [35]	Ø 1-5/8" [41]

Dimensions are inches, rounded to 1/16"
[Dimensions in brackets are mm, rounded to 1mm]