

Features

- 25+ artisan finishes including 12 PVD finishes
- All brass construction
- Handshower and swivel nut with 1/2" MIP inlets
- 2.0gpm (7.6 L/min) or 1.8gpm (6.8 L/min) max flow rate
- Durable 84" black poly braided hose, provides quiet non-marring operation
- Includes diverter valve (DDV-R)

| | |
|-------------|------------|
| 30X.15S.18 | 30.15S.18 |
| 30X.15S.20 | 30.15S.20 |
| 30XK.15S.18 | 30K.15S.20 |
| 30XK.15S.20 | 30K.15S.18 |
| 30XF.15S.18 | 30F.15S.18 |
| 30XF.15S.20 | 30F.15S.20 |
| 30XT.15S.18 | 30T.15S.18 |
| 30XT.15S.20 | 30T.15S.20 |

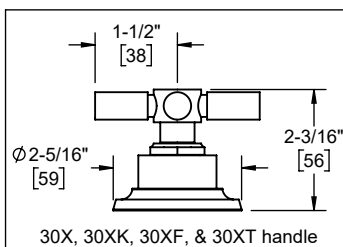
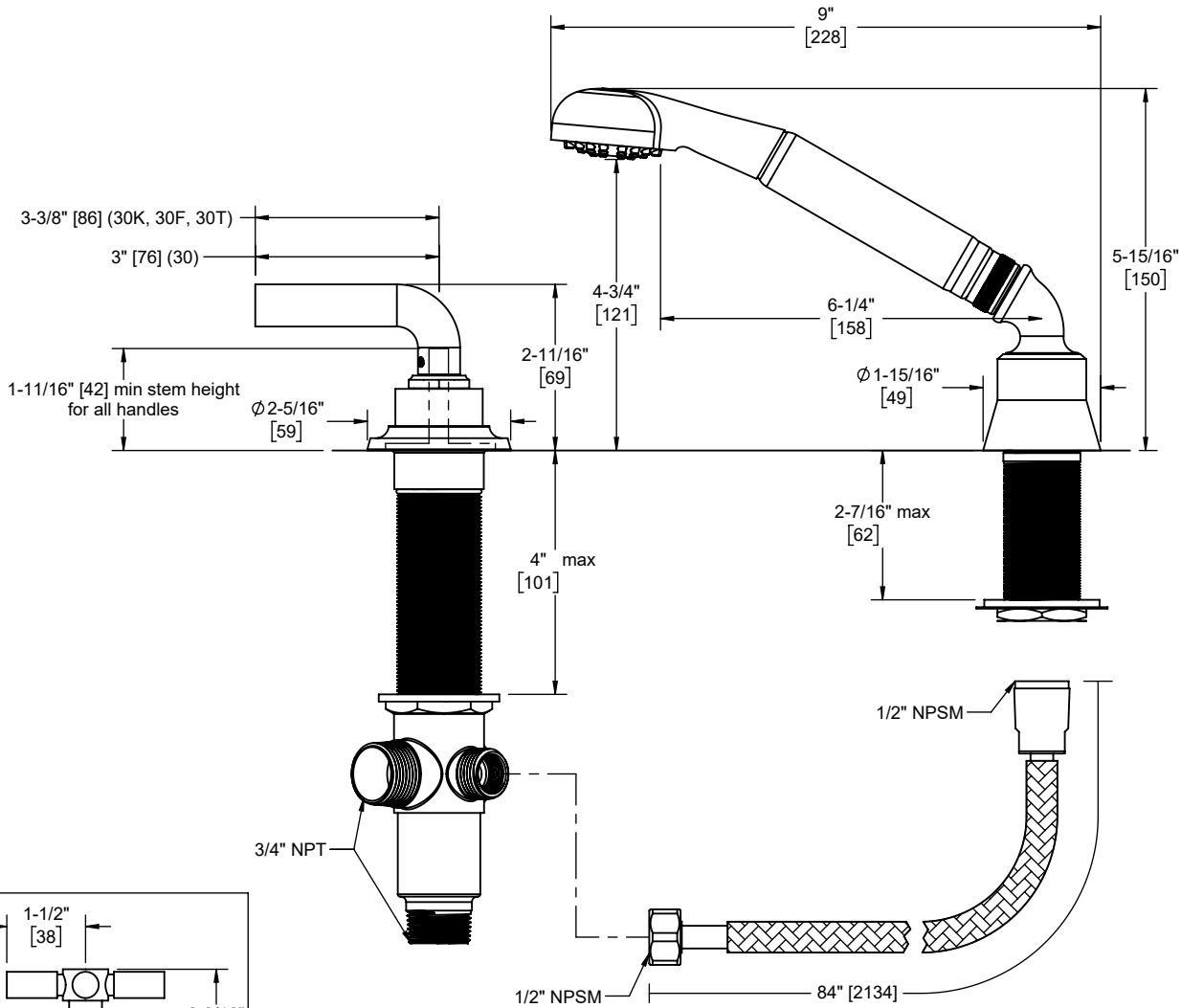
Codes/Standards Applicable

Product meets or exceeds the following:

- ASME A112.18.1/CSA B125.1
- NSF 61, NSF 372, CEC (1.8 gpm) & DOE (1.8 & 2.0 gpm)
- EPA WaterSense (2.0 gpm)
- Commonwealth of MA
- ADA compliant (lever handles only)



30.15S.18-SN shown



| Through-Hole Specifications | | | |
|-----------------------------|----------------|---------------|-----------------|
| | Min | Recommended | Max |
| Showers: | Ø 1-1/4" [32] | Ø 1-1/4" [32] | Ø 1-13/16" [46] |
| Valves: | Ø 1-7/16" [37] | Ø 1-1/2" [38] | Ø 1-3/4" [44] |

Dimensions are inches, rounded to 1/16"
[Dimensions in brackets are mm, rounded to 1mm]