

NOTE:

1. APPLY THIN COAT OF SILICON GREASE ON TO ALL 'O' RINGS BEFORE INSTALLATION

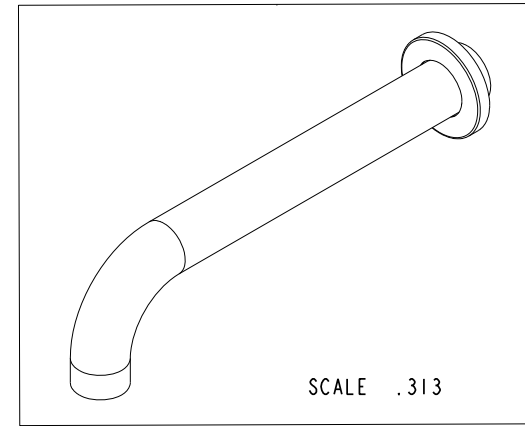
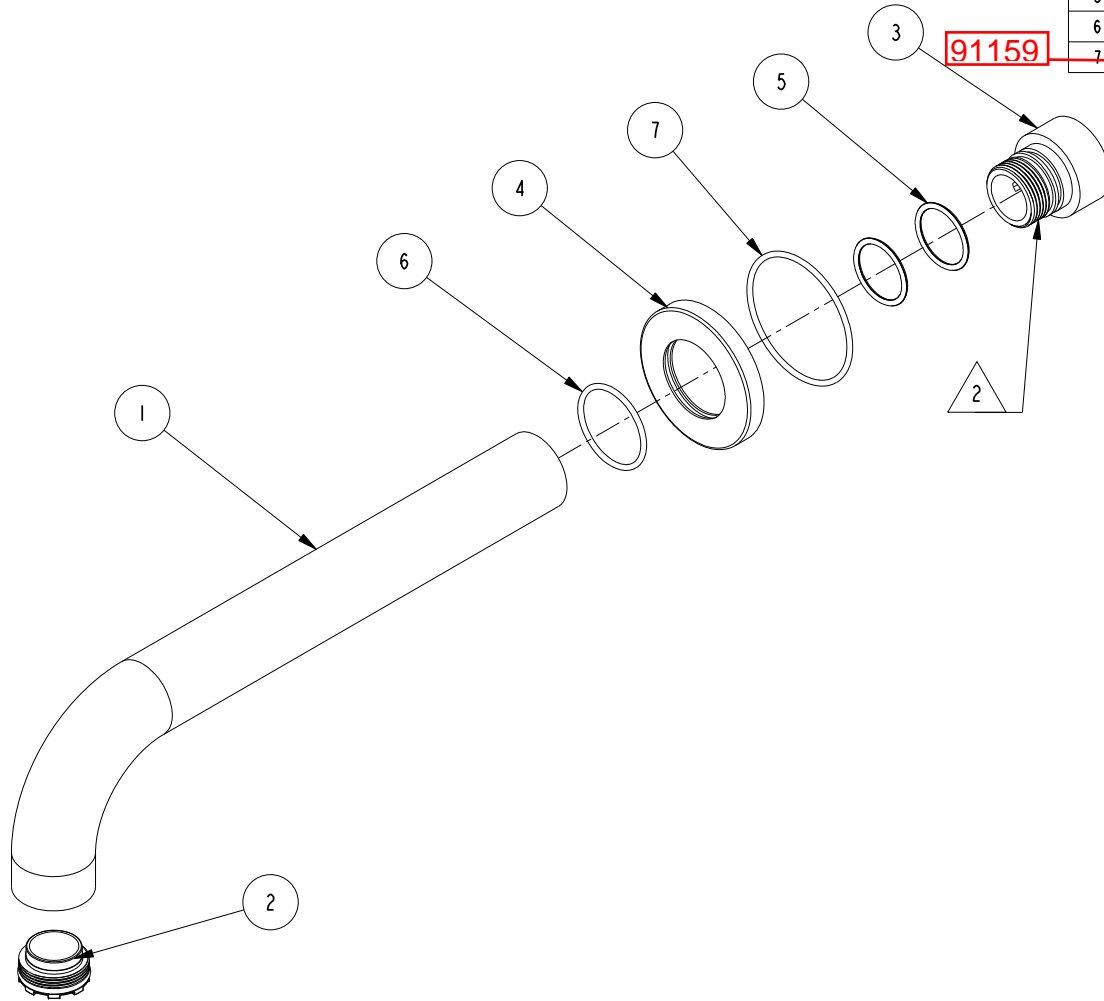
2 APPLY PERMANENT THREAD LOCKER (LOCTITE 680)

BILL OF MATERIAL (CURRENT LEVEL)

ITEM	PT/ASSY	DESCRIPTION	TYPE	QTY.
1	2-744	W/M TUB- SPOUT BRAZE ASM	ASSEMBLY	1
2	11711	HIDDEN FAUCET AERATOR	PART	1
3	11894	WALL MOUNT TUB - ADAPTER	PART	1
4	12285	W/M TUB- ESCUTCHEON	PART	1
5	91022	O-RING, #2- 018, EPDM, 65-75 DURO, NSF 61	PART	2
6	91024	O-RING, #2- 022, EPDM, 65-75 DURO, NSF 61	PART	1
7	91270	O-RING, #2-030, EPDM, 65-75 DURO, NSF 61	PART	1

91159

jm
03/16/2015



COPYRIGHT 2005 GINGER. THESE DRAWINGS AND THE DESIGNS DEPICTED HEREIN ARE THE PROPRIETARY PROPERTY OF GINGER. ANY USE OR REPRODUCTION IS SUBJECT TO THE EXPRESS APPROVAL OF GINGER. UNAUTHORIZED USE IS STRICTLY PROHIBITED. ALL RIGHTS RESERVED.

GINGER

2001 E. CARNEGIE AVE.
SANTA ANNA CA 92705
(949) 417-5207

SPOUT & ESCUTCHEON ASM - WALL MOUNT TUB

ASSY. NO. 3-419

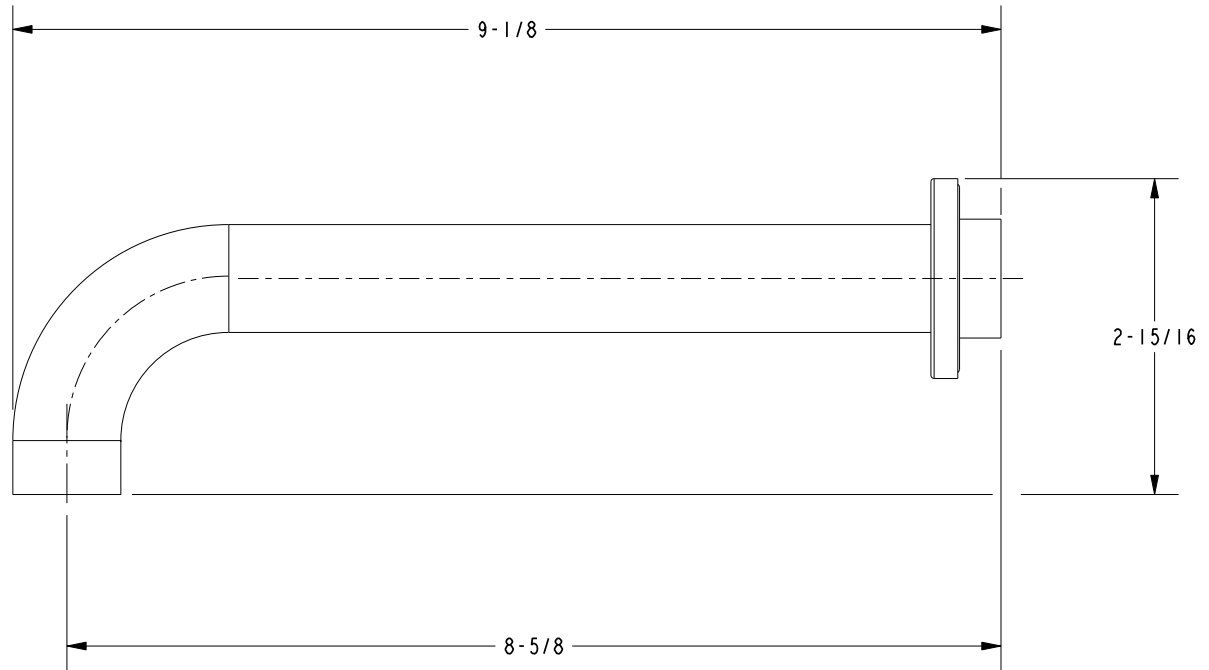
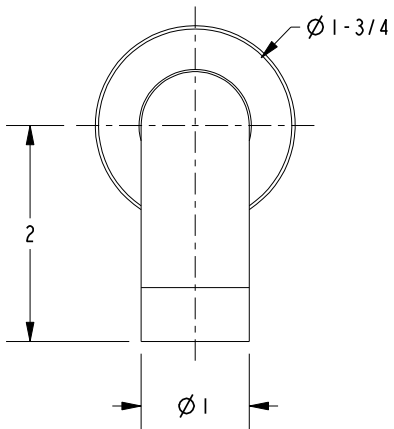
SCALE .938

REF. -

SHEET 1 OF 2

B	EN-2541-1	09/05/14
A	EN-0995-3	03/10/11
-	EN-0995-3	01/31/11
REV	REV DESC	DATE

SPECIFICATION DWG



DIMENSIONS ARE IN INCHES AND AN APPROXIMATION OF A TYPICAL INSTALLATION

COPYRIGHT 2005 GINGER. THESE DRAWINGS AND THE DESIGNS DEPICTED HEREIN ARE THE PROPRIETARY PROPERTY OF GINGER. ANY USE OR REPRODUCTION IS SUBJECT TO THE EXPRESS APPROVAL OF GINGER. UNAUTHORIZED USE IS STRICTLY PROHIBITED. ALL RIGHTS RESERVED.

GINGER		2001 CARNEGIE AVE. SANTA ANA CA 92705 (949) 417-5207	
DWG NO.	3-419	REV	B
SCALE	1.000	REF.	-
SHEET		2	OF 2