

ORIENT 660 PEDESTAL LAVATORY

CAT. NO
3-18X



W: 26"
D: 21-3/4"
H: 33-3/8"

Column: 7" x 7" x 26"

Back of basin to center of faucet: 2-3/4"
Back of basin to center of drain: 8-1/4"
Mount bolts height: 31-1/2"
Mount holes cc: 11-1/4"

Interior Dimensions:

Basin interior: 21-1/2" x 14-1/2"
Basin depth: 7-1/2"
Faucet and spout holes: 1-3/8"

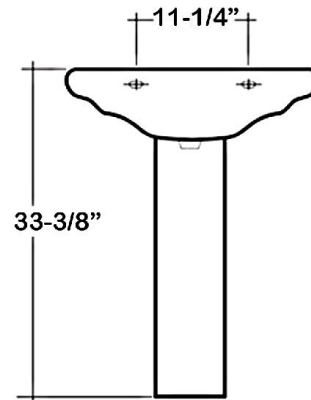
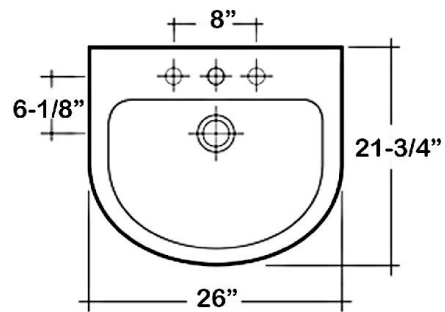
Features:

- ▶ Made of Vitreous China
- ▶ Available for 1 hole or 8"cc
- ▶ Overflow
- ▶ Mounting hardware included
- ▶ Can Be Installed Using Toggle or Molly Bolts (not included)
- ▶ For ease installation order Hangers (pair) or Bracket (one)

Colors:

WH White

Compliance Certification
Meets or exceeds the following specifications: ASME A112.19.2 2013 and CSA B45.1-13 for ceramic plumbing fixtures.



Dimensions of fixture are nominal and may vary within the range of tolerances established by ASME Standard A112.19.2-2008. Dimensions and specifications subject to change without notice.